

Indoor/Outdoor Wall Mount Bracket LTB100

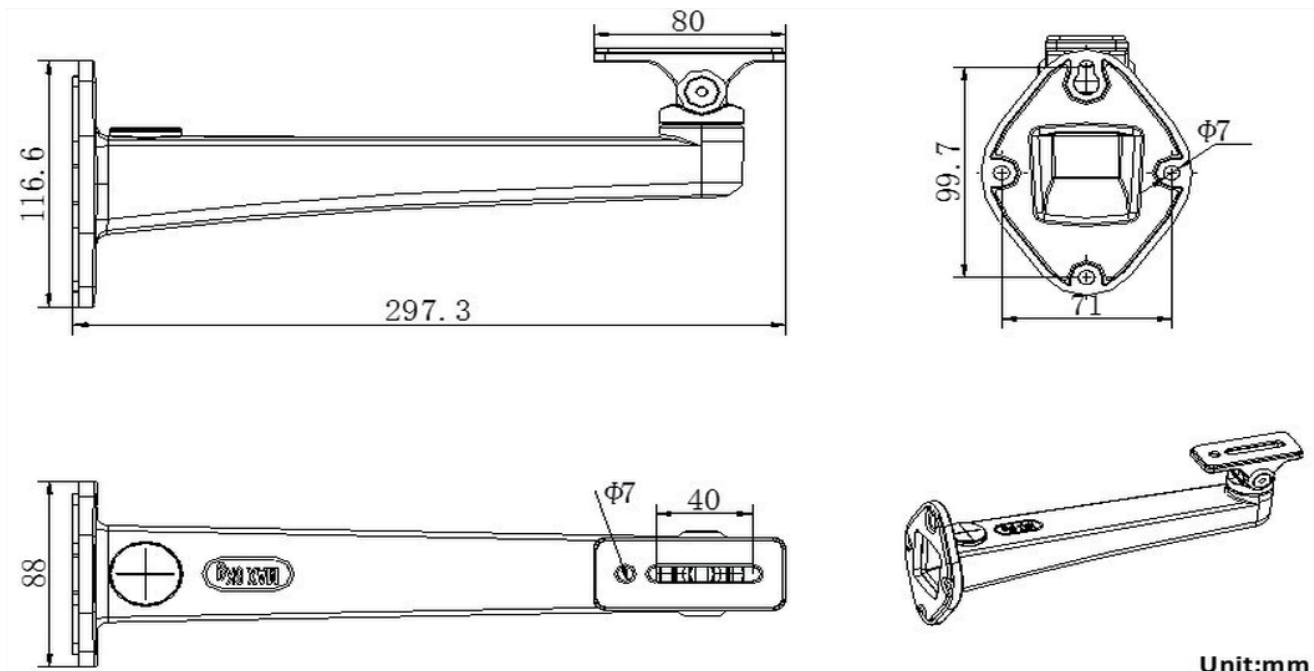
Suitable for LPR100 wall mounting



Properties

Construction	Aluminum alloy
Dimension	88×116.6×297.3mm (3.5"×4.6"×11.7")
Weight	473g (1.0lbs)

Dimensions:



©2015 LT Security, Inc. All Rights Reserved. White papers, data sheets, quick start guides, and/or user manuals are for reference only and may or may not be entirely up to date or accurate based upon the version or models. Product names mentioned herein may be the unregistered and/or registered trademarks of their respective owners.