

Wall Mount Bracket

LTB342-135

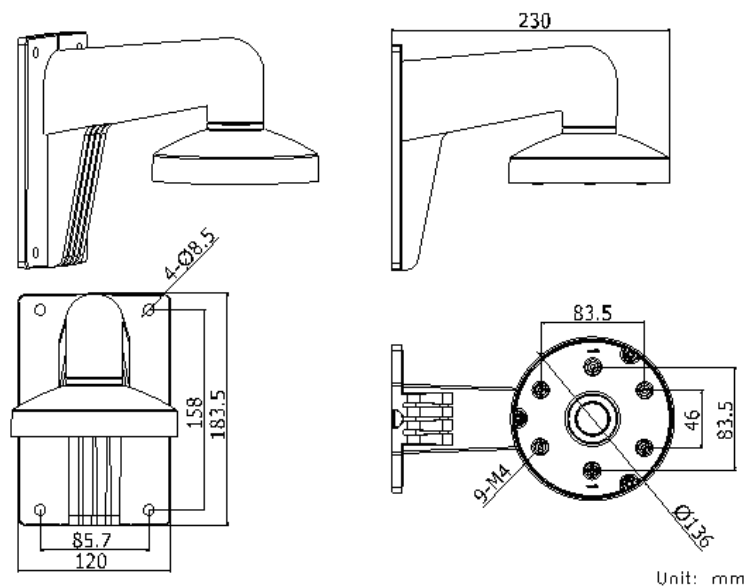
Suitable for CMIP72XX Series



Properties

Parameter	Wall mount bracket for CMIP72XX series
Construction	Aluminum Alloy
Dimension	Φ136×183.5×230mm(Φ5.4"×7.2"×9.1")
Weight	704g(1.6lbs)

Dimensions:



©2015 LT Security, Inc. All Rights Reserved. White papers, data sheets, quick start guides, and/or user manuals are for reference only and may or may not be entirely up to date or accurate based upon the version or models. Product names mentioned herein may be the unregistered and/or registered trademarks of their respective owners.