

Pendant mount LTB371

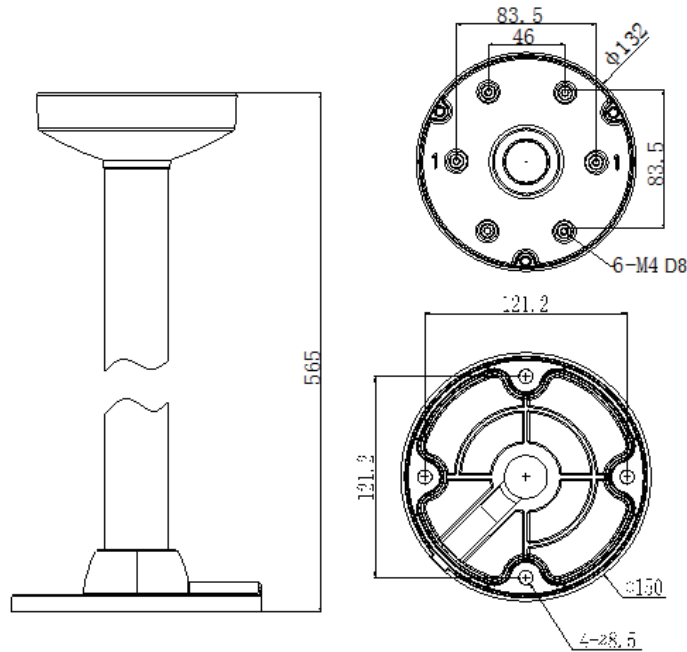
Suitable for CMD37XX/CMIP30XX/CMIP11XX camera



Properties

Parameter	Pendant mount for CMD37XX/CMIP30XX/CMIP11XX camera
Construction	Aluminum alloy
Dimension	Φ130×545mm(Φ5.1"× 21.5")
Weight	1200g(2.6lbs)

Dimensions:



Unit: mm