

# Pendant mount LTB396

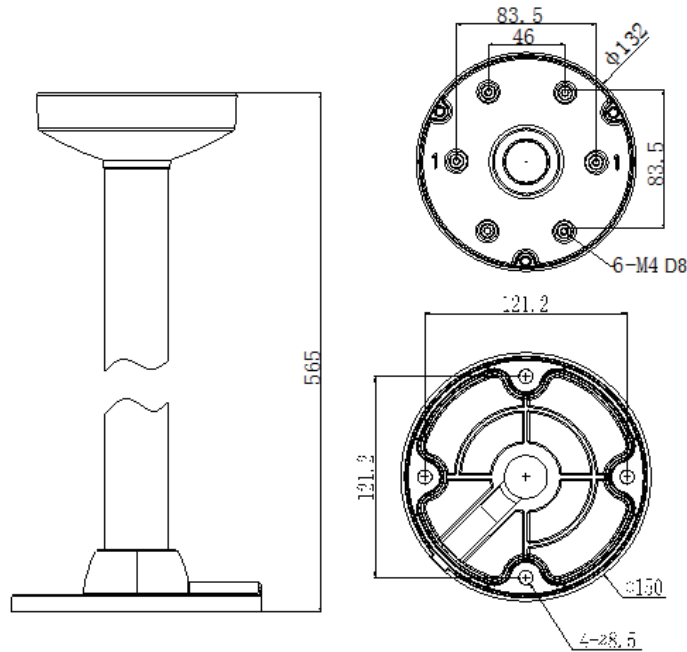
Suitable for CMIP72XX/CMIP30XX/CMIP11XX camera



## Properties

Parameter	Pendant mount for CMD37XX/CMIP30XX/CMIP11XX camera
Construction	Aluminum alloy
Dimension	Φ130×545mm(Φ5.1"× 21.5")
Weight	1200g(2.6lbs)

## Dimensions:



Unit: mm

©2015 LT Security, Inc. All Rights Reserved. White papers, data sheets, quick start guides, and/or user manuals are for reference only and may or may not be entirely up to date or accurate based upon the version or models. Product names mentioned herein may be the unregistered and/or registered trademarks of their respective owners.