

Pendent Mounting Bracket

LTB759

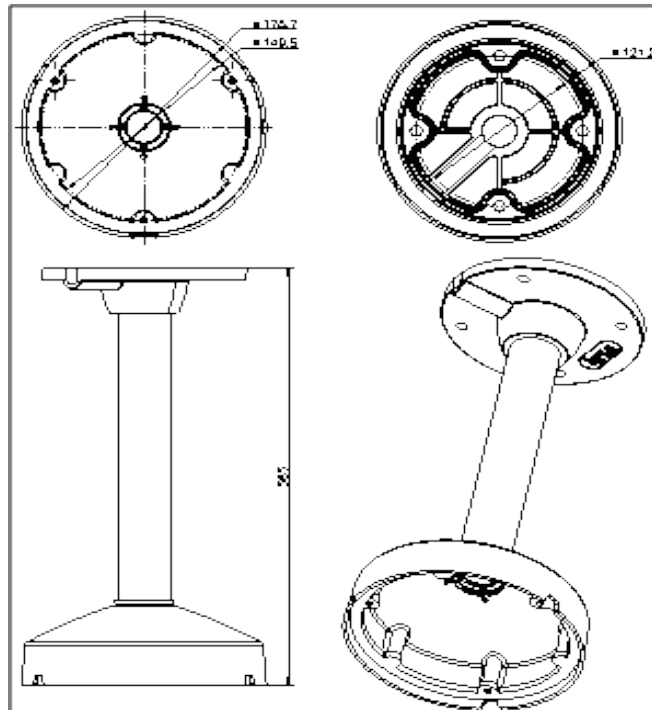
Suitable for Dome Camera



Properties

Parameter	Pendent Mounting Bracket for Dome Camera
Construction	Aluminum Alloy
Dimension	565×250×250mm(22.2"×9.8"×9.8")
Weight	1730g(3.81lbs)

Dimensions:



©2016 LT Security, Inc. All Rights Reserved. White papers, data sheets, quick start guides, and/or user manuals are for reference only and may or may not be entirely up to date or accurate based upon the version or models. Product names mentioned herein may be the unregistered and/or registered trademarks of their respective owners.