

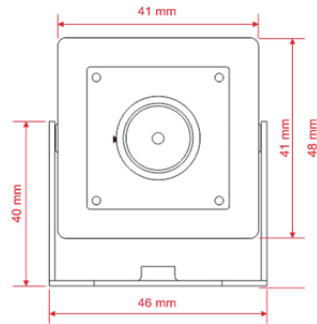
Platinum HD-TVI Covert Camera CM1922T



Key Features:

- Full HD 1080P
- 1/2.8" Sensor
- 3.7mm Lens
- Support UTC Function
- Support 2D/3D NR
- DC 12V

Dimensions:



Platinum HD-TVI Covert Camera CM1922T

CAMERA	
Image Sensor	1/2.8" CMOS
Signal System	NTSC/PAL
Effective Pixels	1944(H)*1213(V)
Min. Illumination	0.1 Lux
Shutter Speed	1/30(1/ 25)s to 1/50,000 s
Lens	3.7mm Lens
Synchronization	Internal
Video Frame Rate	1080p@30fps/1080p@25fps
Digital Noise Reduction	2D NR & 3D NR
S/N Ratio	More than 50dB
GENERAL	
Working Temperature /Humidity	14 ° F - 122 ° F (-10° C - 50 ° C) Humidity 85% or less (non-condensing)
Power Supply	DC 12V
Power Consumption	Max. 3W
Dimension	1.6" x 1.9" x 1.5" (41mm x 48mm x 38mm)
Weight	0.4lb(200g)