

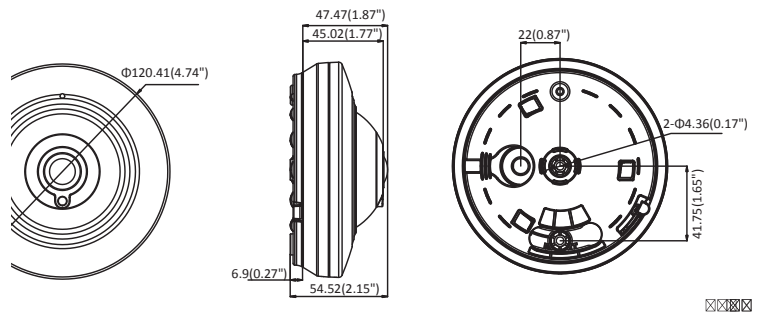
Platinum HD-TVI Indoor Fisheye Camera 5MP CMHD7552F



Key Features:

- 5MP High Definition
- 2592x1944@12.5fps
- 1.1mm Fixed Lens
- 3 Matrix IR 2.0 up to 65ft(20m)
- Built-in Microphone
- DC 12V
- OSD Menu via UTC technology with Platinum TVI DVR

Dimensions:



Platinum HD-TVI Indoor Fisheye Camera 5MP CMHD7552F

| CAMERA | |
|-------------------------------|---|
| Image Sensor | 1/3.2"CMOS |
| Signal System | NTSC/PAL |
| Effective Pixels | 2592(H)*1944(V) |
| Min. Illumination | 0.01 Lux@F1.2, 0 Lux with IR |
| Shutter Speed | 1/12.5 s to 1/50,000 s |
| Lens | 1.1mm |
| Day & Night | ICR |
| Synchronization | Internal |
| Video Frame Rate | 2592 x 1944@12.5fps |
| HD Video Output | 1 HD-TVI Output |
| S/N Ratio | More than 62dB |
| MENU | |
| Mouting Type | Ceiling/Wall |
| Ceiling Mounting Display Mode | Default, Panorama, 4 PTZ, Fisheye & 3 PTZ, Annular, Mini-fisheye & 1 PTZ, Annular & 2 PTZ |
| Wall Mounting Display Mode | Default, Panorama, 4 PTZ, Fisheye & 3 PTZ, Panorama & 3 PTZ |
| D/N Mode | Color/BW/AUTO |
| Functions | Brightness,contrast,saturation,sharpness |
| GENERAL | |
| Working Temperature | -4 ° F - 140 ° F (-20 ° C - 60 ° C) |
| /Humidity | Humidity 90% or less (non-condensing) |
| Power Supply | DC 12V |
| Power Consumption | Max. 5.5W |
| IR Range | Up to 65ft(20m) |
| Dimension | 4.8 " × 2.1" (120.4 × 54.5 mm) |
| Weight | 0.8lb(350g) |