

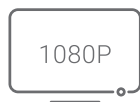
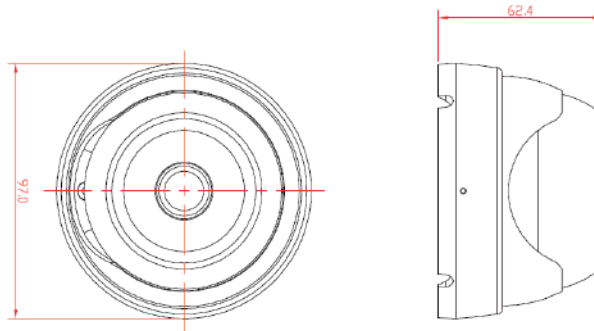
HD-TVI Turret Camera 2.1MP CMHT1222-A



Key Features:

- 2.1MP High Definition
- 1920x1080P@30fps
- True Day/Night
- Smart IR
- 65 ft(20m) IR distance
- CVBS Output
- OSD Menu via UTC technology with Platinum TVI DVR
- IP66 weatherproof

Dimensions:



HD-TVI Turret Camera 2.1MP CMHT1222-A

CAMERA

Image Sensor	1/2.7" CMOS
Signal System	NTSC/PAL
Effective Pixels	1920(H)*1080(V)
Min. Illumination	0.01 Lux, 0 Lux with IR
Shutter Speed	1/30(1/25) s to 1/50,000 s
Lens	3.6mm
Day & Night	ICR
Synchronization	Internal
Video Frame Rate	1080p@30fps/1080p@25fps
Video Output	1 BNC Output (CVBS&TVI)
S/N Ratio	More than 52dB

GENERAL

Working Temperature /Humidity	-4° F - 122° F (-20° C - 50° C) Humidity 90% or less (non-condensing)
Power Supply	DC 12V
Power Consumption	Max. 5W
Weather Proof Ratings	IP66
IR Range	Up to 65ft(20m)
Dimension	φ3.8" × 2.5" (φ97.00×62.4mm)
Weight	0.9lb(400g)