

CMHT1752N-28PIR 5 MP PIR Turret Camera



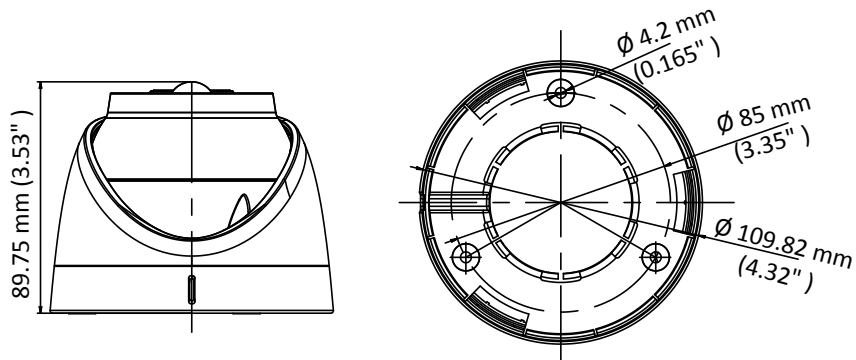
Key Features

- 5 MP high performance CMOS
- 2560 × 1944 resolution
- 2.8 mm fixed focal lens
- PIR detection, visual alarm
- Matrix IR 2.0, smart IR, up to 66ft(20 m) IR distance
- IP67
- OSD Menu via UTC technology with Platinum DVR

Specification

Camera	
Image Sensor	5.0 megapixel progressive scan CMOS
Signal System	PAL/NTSC
Frame Rate	PAL: 5 MP@20fps, 4 MP@25fps, 1080p@25fps NTSC: 5 MP@20fps, 4 MP@30fps, 1080p@30fps
Resolution	2560 (H) × 1944 (V)
Min. illumination	Color: 0.01 Lux @ (F1.2, AGC ON), 0 Lux with IR
Shutter Time	PAL: 1/25 s to 1/50, 000 s NTSC: 1/30 s to 1/50, 000 s
Lens	2.8 mm fixed focal lens
Horizontal Field of View	85.5° (2.8 mm)
Lens Mount	M12
Visual Alarm	Yes
Day & Night	IR cut filter
Angle Adjustment	Pan: 0° to 360°, Tilt: 0° to 75°, Rotate: 0° to 360°
Synchronization	Internal synchronization
Menu	
White Light	Alarm/Off
AGC	Yes
Day/Night Mode	Auto/Color/BW (Black and White)
White Balance	Auto/Manual
Backlight Compensation	Yes
Language	English
Functions	Brightness, Contrast, Sharpness, Saturation, DNR, Mirror
Interface	
Video Output	1 HD analog output
General	
Operating Conditions	-40 °C to 60 °C (-40 °F to 140 °F), humidity: 90% or less (non-condensation)
Power Supply	12 VDC ±25%
Power Consumption	Max. 4.5 W
Ingress Protection	IP67
Material	Enclosure: Plastic Main body: Metal
IR Range	Up to 66ft(20 m)
PIR Range	Angle: 110°, Range:36ft(11 m)
Communication	Up the coax, TVI output
Dimensions	∅ 109.8 mm × 89.75 mm (∅ 4.32" × 3.53")
Weight	Approx. 310 g (0.68 lb.)

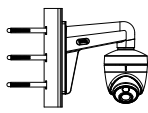
Dimension



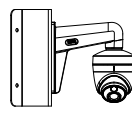
Accessory



LTB342-110T Wall Mount



LTB378 Vertical Pole Mount



LTB379 Corner Mount