

CMHT2722B-28F HD 1080p 4-in-1 Turret Camera



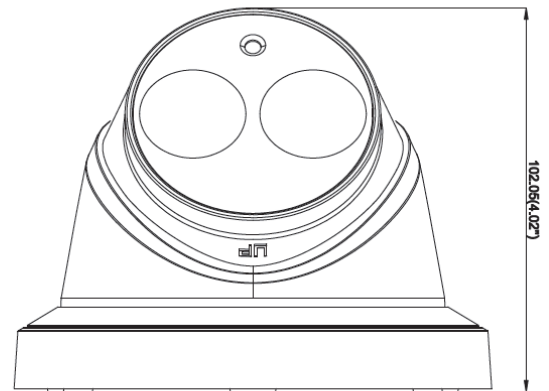
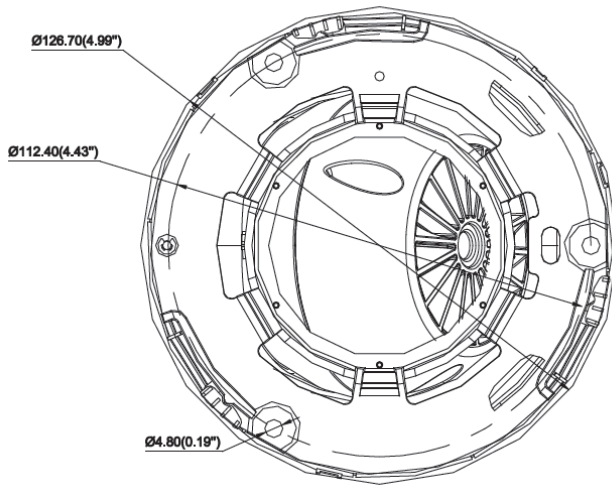
Key Features

- 2 MP high performance CMOS
- Analog HD output, up to 1080p resolution
- True Day/Night,
- Smart IR
- Matrix IR, smart IR, up to 131ft(40m) IR distance
- Switchable TVI/AHD/CVI/CVBS
- IP66

Specifications

| Camera | |
|--------------------------|--|
| Image Sensor | 2 MP CMOS image sensor |
| Signal System | PAL/NTSC |
| Frame Rate | PAL: 1080p@25fps NTSC: 1080p@30fps |
| Resolution | 1920 (H) × 1080 (V) |
| Min. illumination | 0.01 Lux @ (F1.2, AGC ON), 0 Lux with IR |
| Shutter Time | 1/25(1/30) s to 1/50,000 s |
| Lens | 3.6mm, 2.8 mm fixed lens |
| Horizontal Field of View | 103° (2.8 mm), 82.2°(3.6mm) |
| Lens Mount | M12 |
| Day & Night | IR cut filter |
| Angle Adjustment | Pan: 0° to 360°, Tilt: 0° to 75°, Rotation: 0° to 360° |
| Synchronization | Internal synchronization |
| Menu | |
| AGC | Low/middle/high |
| Day/Night Mode | Smart/color/BW(Black and White) |
| Backlight Compensation | Yes |
| DWDR | Yes |
| Language | English |
| Functions | Brightness, Sharpness, DNR, Mirror |
| Interface | |
| Video Output | 1 HD analog output |
| Switch Button | TVI/AHD/CVI/CVBS |
| General | |
| Operating Conditions | -40 °C to 60 °C (-40 °F to 140 °F), Humidity: 90% or less (non-condensation) |
| Power Supply | 12 V DC ± 15% |
| Power Consumption | Max. 4 W |
| Ingress Protection | IP66 |
| Material | Plastic |
| IR Range | Up to 131ft(40 m) |
| Dimension | φ 5.0" × 4.0"(φ 126.7 × 102.1mm) |
| Weight | 1.1lb(500g) |

Dimensions



Accessories



LTB342-110T
Wall Mount



LTB378
Vertical Pole Mount



LTB379
Corner Mount