

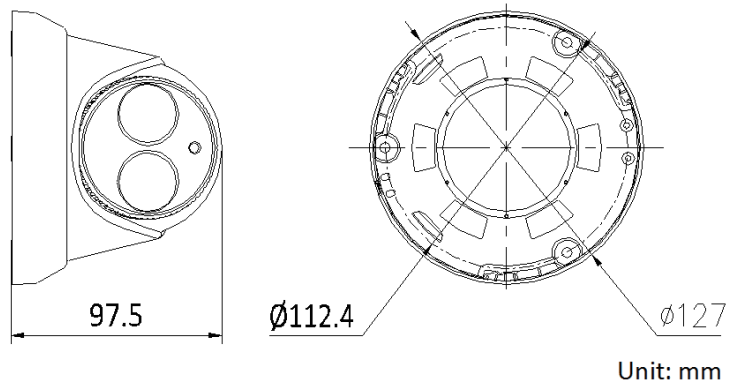
Platinum 2.1MP Network Matrix IR Turret Camera CMIP3022W



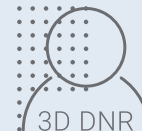
Key Features:

- 2.1MP High Definition
- True 120dB Wide Dynamic Range
- 3D DNR, BLC, Intelligent H.264 Zip+
- High performance Matrix IR LED
- IP67
- DC 12V/ PoE

Dimensions:



WDR
120dB



Platinum 2.1MP Network Matrix IR Turret Camera CMIP3022W

CAMERA	
Image Sensor	1/2.8" Progressive Scan CMOS
Min. Illumination	0.01Lux @ (F1.2, AGC ON), 0 Lux with IR
Shutter Speed	1/3 s to 1/100,000s
Lens	4mm, Angle of view: 90°
Lens Mount	M12
Day & Night	IR cut filter with auto switch
DNR	3D DNR
Wide Dynamic Range	120dB
Angle Adjustment	Pan: 0° ~ 360°, Tilt: 0° ~ 75°, Rotation: 0° ~ 360°
Compression Standard	
Video Compression	H.264 / MJPEG/H.264 Zip+
H.264 Type	Main Profile
Video Bit Rate	32 Kbps ~ 8 Mbps
Dual streams	Support
Image	
Max. Resolution	1920×1080
Frame Rate	60Hz: 30fps (1920 × 1080), 30fps (1280 × 960), 30fps (1280 × 720) 50Hz: 25fps (1920 × 1080), 25fps (1280 × 960), 25fps (1280 × 720)
Image Setting	Rotate Mode, Saturation, Brightness, Contrast, Sharpness adjustable by client software or web browser
BLC	Support, zone configurable
ROI Codec	Support
Network	
Network Storage	NAS (Support NFS, SMB/CIFS), ANR
Alarm Trigger	Motion detection, Tampering alarm, Network disconnect, IP address conflict, Storage exception
Protocols	TCP/IP, UDP, ICMP, HTTP, HTTPS, FTP, DHCP, DNS, DDNS, RTP, RTSP, RTCP, PPPoE, NTP, UPnP, SMTP, SNMP, IGMP, 802.1X, QoS, IPv6, Bonjour
General	One-key reset, Flash-prevention, dual stream, heartbeat, mirror, password protection, privacy mask, watermark, IP address filtering, Anonymous access
Standard	ONVIF (PROFILE S, PROFILE G), PSIA, CGI, ISAPI
Interface	
Communication Interface	1 RJ45 10M/100M Ethernet port
Reset	Yes
General	
Working Temperature / Humidity	-22 °F ~ 140 °F (-30 °C ~ 60 °C) Humidity 95% or less (non-condensing)
Power Supply	DC 12V ±10%, PoE (802.3af)
Power Consumption	Max. 5.5W (Max. 7.5W with ICR on)
IR Range	Approx. 100ft (30 meters)
Weather Proof Ratings	IP67
Dimensions	Φ5.0" × 3.8" (Φ127 × 97.5mm)
Weight	1.5 lbs (670g)