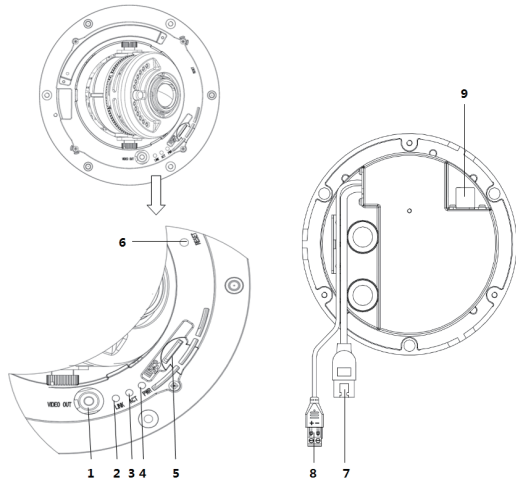


Dome Type II Network Camera

Quick Installation Guide



No.	Description
1	Video output interface
2	LINK: Indicator is solid yellow when network is connected.
3	ACT: Indicator flashes blue when network connection is functioning properly.
4	PWR: Indicator is solid red when the device is powered on.
5	Micro SD slot
6	RESET: Reset button
7	10M/100M self-adaptive Ethernet interface
8	Power supply interface
9	Extended interface

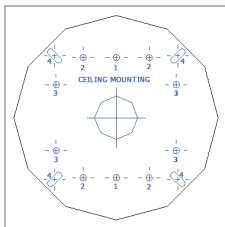
Notes:

- 1) The extended interface can be connected to alarm input/output interface, audio input/output interface, RS-485 interface, etc.
- 2) To reset the default parameters to the camera, you need to press and hold the RESET button and power on the camera. After the power on of the camera, you must still press and hold the Reset button for about 20 seconds.

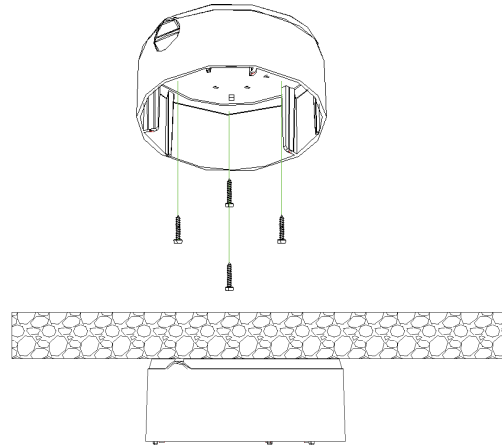
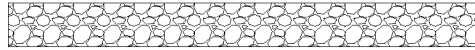
Steps:

1. Drill the Holes

Drill the screw holes on the ceiling with the supplied drilling template. If you need to route the cables from the bottom of the camera, cut a cable hole in the ceiling.

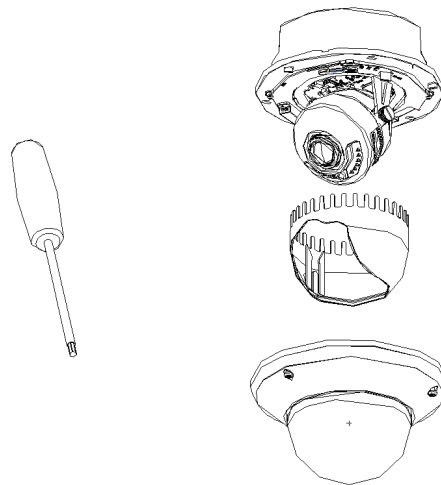


2. Secure the back box to the ceiling with screws.

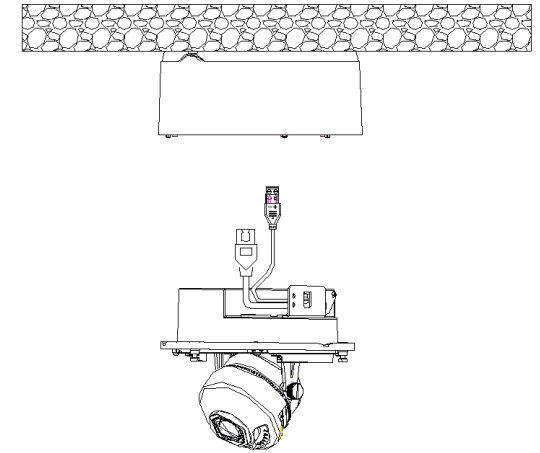


3. Disassemble the Lower Dome and Dome Liner

Loosen the set screws with the hex key (supplied) to remove the lower dome and remove the dome liner.

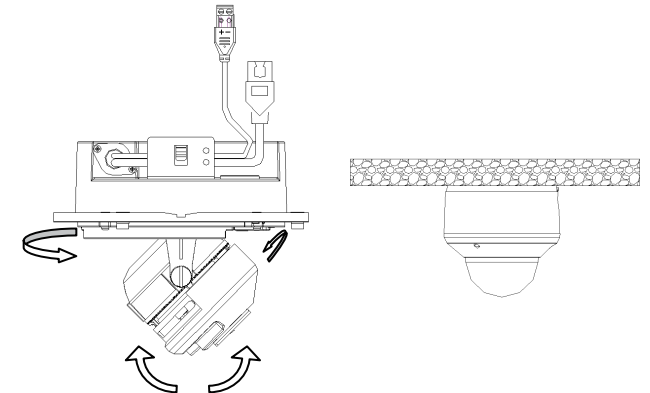


4. Install the dome module to the back box and pull the cables through the cable outlet on the bottom of the back box.



5. Adjust Camera and Reinstall the Lower Dome and Dome Liner

- 1) After connecting the network cable and power cable, view the image of the camera over the network. Loosen the lock screws; adjust the panning position and tilting position and rotate the lens to get the desired surveillance angle; fasten the lock screws.
- 2) Reinstall the dome liner and lower dome to finish the installation. fasten the lock screws.



For detailed instructions of further configuration, please refer to the user manual of network camera.