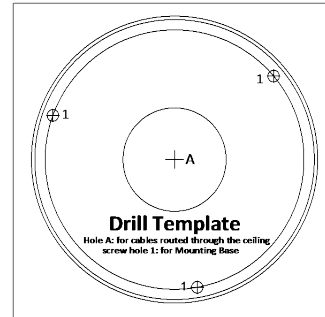
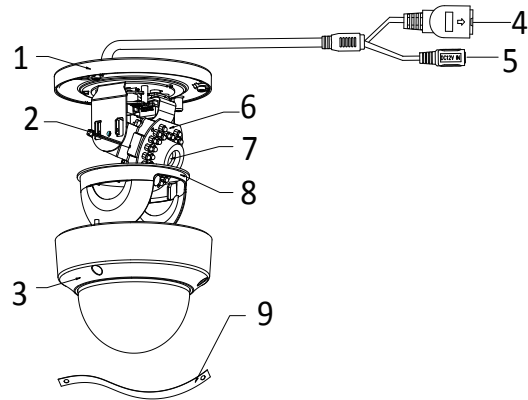


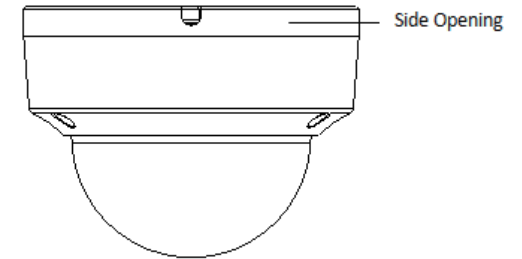
## Dome Type XII Network Camera

# Quick Installation Guide



**3. Loosen the set screws with a hex wrench (supplied) to remove the bubble.**

**5. Route the cables through the cable hole.**  
 Note: If required, you can route cables through the side opening on the side of the mounting base.



**6. Connect the corresponding cables, such as power cable and network cable.**  
**7. Power on the camera to check whether the image on the monitor is gotten from the optimum angle. If not, adjust the camera to get an optimum angle.**

Note: For 3-axis adjustment. Loosen the tilt adjusting screw to adjust the tilt angle [0° to 75°], hold the black liner to adjust the pan angle [0° to 355°], and hold the lens to rotate the camera [0° to 355°].

No.	Description	No.	Description
1	Mounting Base	6	IR LED
2	Tilt Adjusting Screw	7	Lens
3	Bubble	8	Black Liner
4	Network Interface	9	Safety Rope
5	Power Interface		

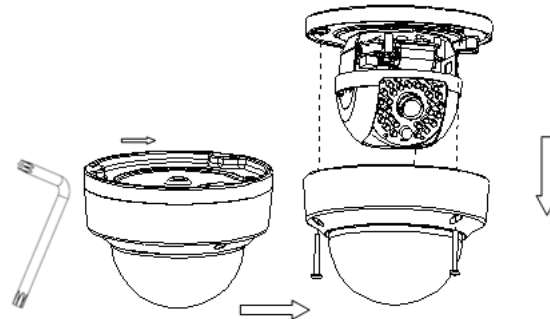
**Note:**

Make sure that the wall is strong enough to withstand four times the weight of the camera and the bracket.

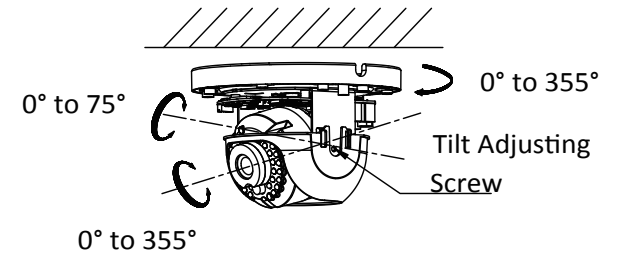
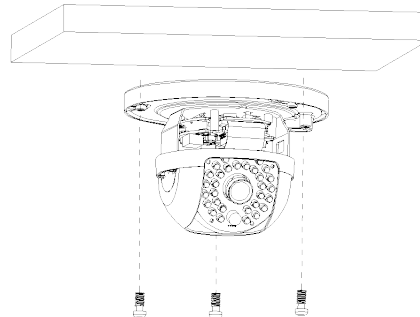
**Installation Steps:**

1. Attach the drill template to the ceiling
2. Drill the screw holes and cable hole (optional) in the ceiling according to the drill template

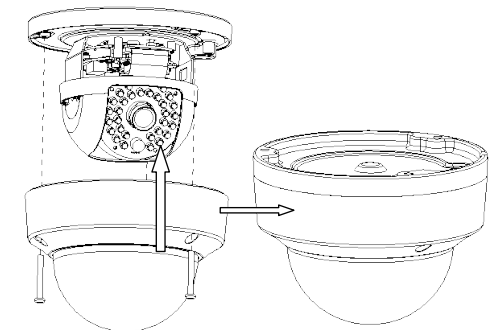
Note: Cable hole is required when you adopt ceiling outlet to route the cables



**4. Fix the mounting base on the ceiling with supplied screws.**



**8. Reinstall the bubble, and tighten the screws.**



For detailed instructions of further configuration, please refer to the user manual of network camera.