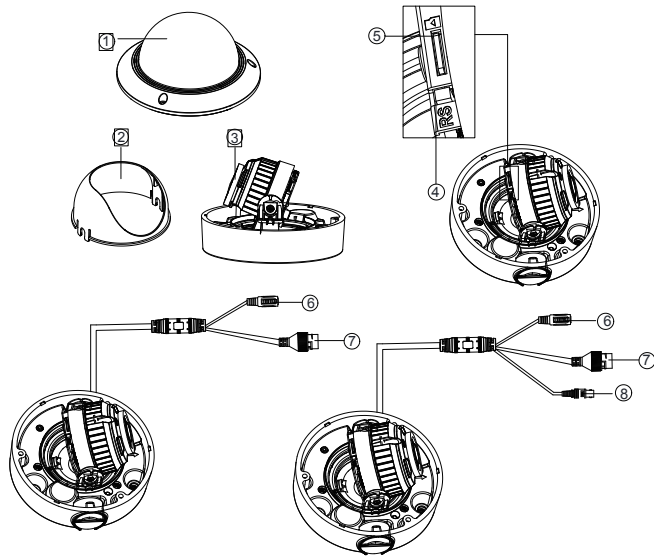


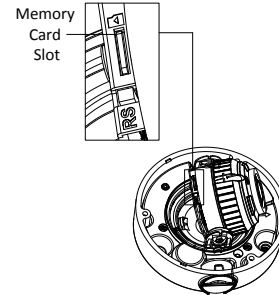
Dome Type XIII Network Camera

Quick Installation Guide



2. Memory Card Installation

- 1). Rotate the camera body to completely expose the memory card slot.
- 2). Insert the memory card into the memory card slot, and push to get it mounted.

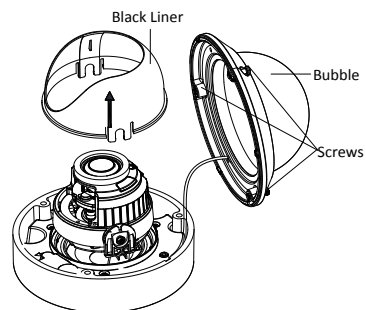


No.	Description	No.	Description
1	Bubble	5	Memory Card Slot
2	Black Liner	6	Power Supply Interface
3	Lens	7	Network Interface
4	Reset	8	Video Output Interface

Installation:

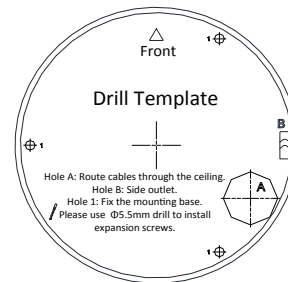
1. Disassembling

- 1) Loosen the three screws on the edge of the bubble with the screw driver.
- 2) Lift and put aside the bubble.
- 3) Remove the inner black liner.

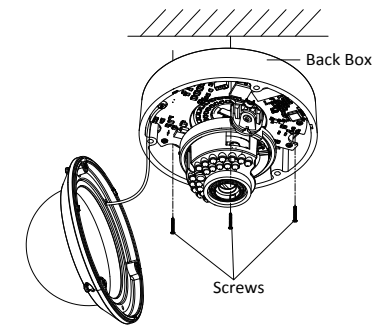


3. Ceiling Mounting

- 1). Attach the drill template (supplied) to the place where you want to fix the camera.
- 2). Drill three screw holes and cable hole (optional) in the ceiling according to the drill template.

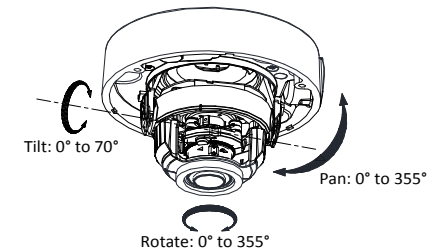


- 3). Align the holes of the back box with the drilled screw holes on the ceiling. And secure the camera with the supplied screws.

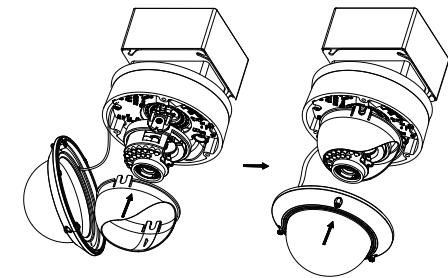


4). 3-Axis Adjustment.

- a. View the camera image using the monitor.
 - b. Loosen the tilt adjusting screw to adjust the tilt angle [0° to 90°]/[0° to 70°], hold the black liner to adjust the pan angle [0° to 355°], and hold the lens to rotate the camera [0° to 355°].
- Note: The tilting angle varies according to the different models as the figures below. Please refer to the actual device.



- 6). Install the inner black liner back to the camera.
- 7). Secure the bubble to the camera with screws.



For detailed instructions of further configuration, please refer to the user manual of network camera.