

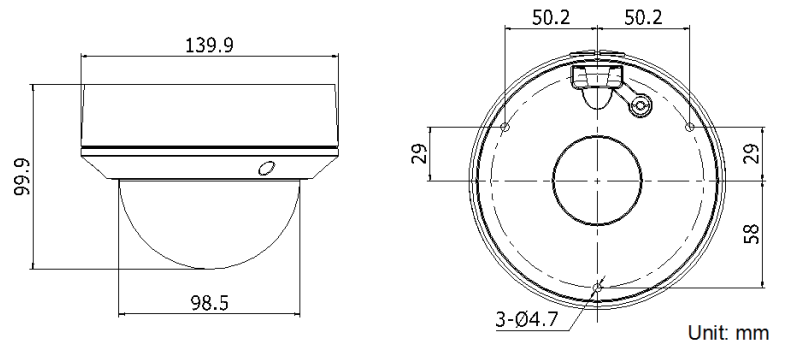
Platinum 2.1MP Network Varifocal Dome Camera CMIP7223W-S



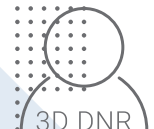
Key Features:

- 2.1MP High Definition
- True 120dB Wide Dynamic Range
- 3D DNR, BLC, Intelligent H.264 Zip+
- Audio I/O, Alarm I/O
- IP67, Vandal-proof
- DC 12V/ PoE

Dimensions:



WDR
120dB



Platinum 2.1MP Network Varifocal Dome Camera CMIP7223W-S

CAMERA	
Image Sensor	1/2.8" Progressive Scan CMOS
Min. Illumination	0.01Lux @(F1.2,AGC ON), 0.014 Lux @(F1.4,AGC ON), 0 Lux with IR
Shutter Speed	1/3 s to 1/100,000s
Slow Shutter	Support
Lens	2.8 - 12 mm @ F1.4, Angle of view: 106° - 35°
Lens Mount	Φ14
Day & Night	IR cut filter with auto switch
DNR	3D DNR
Wide Dynamic Range	120dB
Angle Adjustment	Pan:0° - 355°, Tilt: 0° - 75°, Rotation: 0° - 355°
Compression Standard	
Video Compression	H.264 / MJPEG/H.264 Zip+
H.264 Type	Main Profile
Video Bit Rate	32 Kbps ~ 8 Mbps
Audio Compression	G.711/G.722.1/G.726/MP2L2
Audio Bit rate	64Kbps(G.711) / 16Kbps(G.722.1) / 16Kbps(G.726) / 32-128Kbps(MP2L2)
Image	
Max. Resolution	1920 × 1080
Frame Rate	60Hz: 30fps (1920 × 1080, 1280 × 960, 1280 × 720) 50Hz: 25fps(1920 × 1080, 1280 × 960, 1280 × 720)
Image Setting	Rotate Mode, Saturation, Brightness, Contrast, Sharpness adjustable by client software or web browser
BLC	Support, zone configurable
ROI Codec	Support
Network	
Network Storage	NAS (Support NFS,SMB/CIFS), ANR
Alarm Trigger	Motion detection, Tampering alarm, Network disconnect, IP address conflict, Storage exception
Protocols	TCP/IP, UDP, ICMP, HTTP, HTTPS, FTP, DHCP, DNS, DDNS, RTP, RTSP, RTCP, PPPoE, NTP, UPnP, SMTP, SNMP, IGMP, 802.1X, QoS, IPv6, Bonjour
General	One-key reset, Flash-prevention, dual stream, heartbeat, mirror, password protection, privacy mask, watermark, IP address filtering, Anonymous access
Standard	ONVIF (PROFILE S, PROFILE G), PSIA, CGI, ISAPI
Interface	
Communication Interface	1 RJ45 10M/100M Ethernet port
On-board storage	Built-in Micro SD/SDHC/SDXC slot, up to 128GB
Reset	Yes

Platinum 2.1MP Network Varifocal Dome Camera

CMIP7223W-S

General	
Working Temperature /Humidity	-22 °F ~ 140°F (-30 °C ~ 60 °C)
	Humidity 95% or less (non-condensing)
Power Supply	DC12V ± 10%, PoE (802.3af)
Power Consumption	Max. 5.5W
IR Range	Approx. 100ft (30 meters)
Weather Proof Ratings	IP67
Impact Protection	IEC60068-275Eh, 20J; EN50102, up to IK10
Dimensions	Φ 5.5" × 3.9"(Φ 140 × 99.9 mm)
Weight	2.20lbs (1000 g)