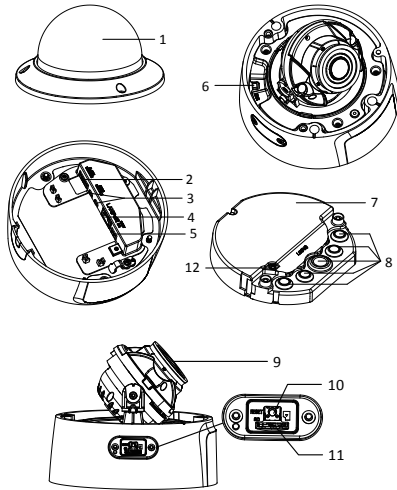


Dome Type XI Network Camera

Quick Installation Guide

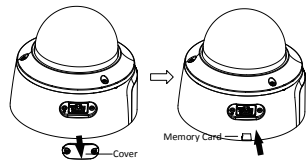


No.	Description	No.	Description
1	Bubble	7	Junction box
2	Alarm input/output	8	Sealing plugs
3	Audio input/output	9	Lens
4	RJ45 Ethernet port (PoE)	10	Reset button
5	Power interface (12 VDC)	11	Memory card slot
6	Video Out (BNC)	12	Grounding screw

Installation:

1. Memory Card Installation

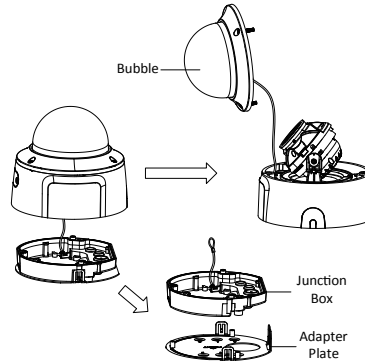
1) Unscrew the memory card slot cover.



- 2) Insert the memory card into the memory card slot, and push to get it mounted.
- 3) (Optional) To unmount the memory card, push to eject it.
- 4) Screw the cover back.

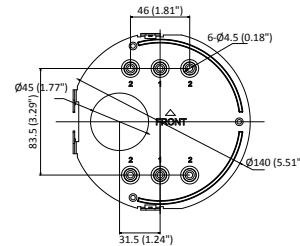
2. Disassembling

- 1) Lift the camera body to separate the junction box and the adapter plate.
- 2) Separate the junction box and the adapter plate.
- 3) Unscrew the bubble.

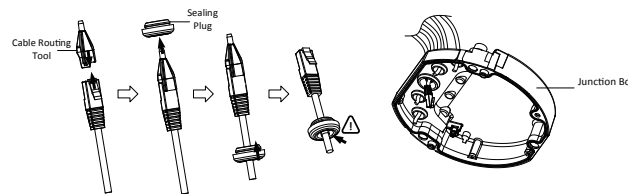


3. Ceiling Mounting

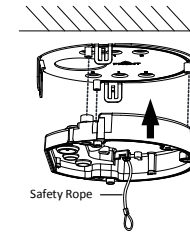
- 1) Mark 4 screw holes at desired mounting location according to No.2 screw holes on the adapter plate.



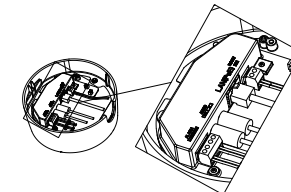
- 2) Secure the adapter plate to the ceiling with four supplied screws.
- 3) Route the cables through the junction box.
 - a. Pierce the sealing plugs on junction box.
 - b. Thread cables through the sealing plugs.



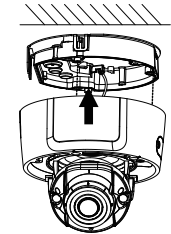
- 4) Align the "FRONT" marks on junction box and adapter plate. Secure the junction box to adapter plate with three screws.



- 5) Hang the camera body on the safety rope.
- 6) Connect the cables to correspondent plugs on camera bottom.
- 7) Fix the camera body to the junction box with three screws.



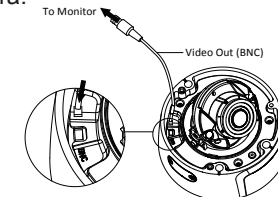
Connect the cables



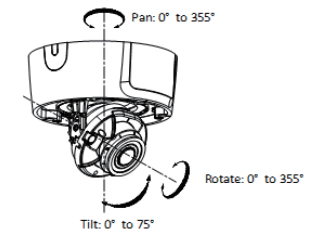
Fix the camera body

8) Adjust surveillance angle.

- a. Use supplied BNC video out cable to connect the camera to a monitor. Power on the camera to obtain live image of the camera.



- b. Hold the lens to adjust the panning, tilting, and rotating position.



- 9) Peel off the protective films and screw the bubble back to the camera body.

For detailed instructions of further configuration, please refer to the user manual of network camera.