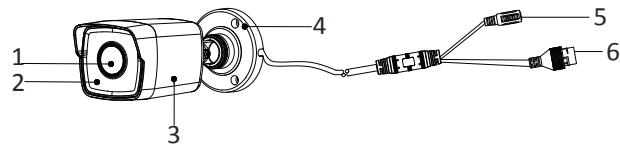


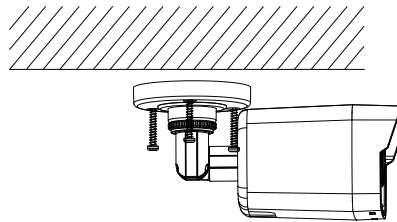
## Bullet Type XII Network Camera

# Quick Installation Guide



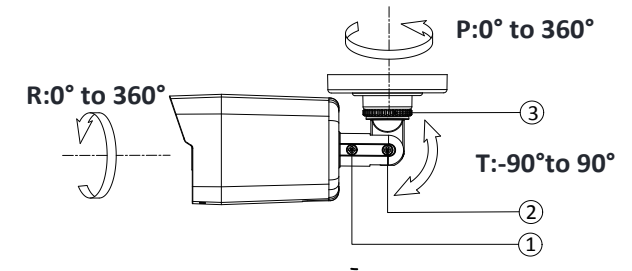
| No. | Description   |
|-----|---------------|
| 1   | Lens          |
| 2   | Front Cover   |
| 3   | Back Cover    |
| 4   | Mounting Base |
| 5   | Power Cord    |
| 6   | Network Cable |

- Route the cables through the cable hole (optional), or the side opening.
- Fix the camera on the ceiling with supplied screws.



- In the supplied screw package, both self-tapping screws, and expansion bolts are contained.
- If the ceiling is cement, expansion bolts are required to fix the camera. If the ceiling is wooden, self-tapping screws are required.

- Loosen the No.3 adjusting screw to adjust the pan position [0° to 360°].
- Tighten the No.3 adjusting screw.

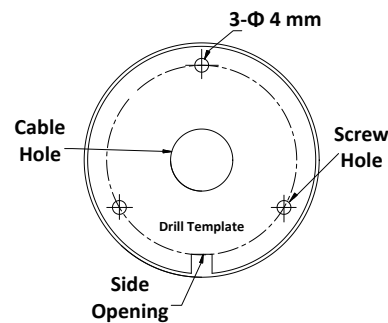


For detailed instructions of further configuration, please refer to the user manual of network camera.

### Installation Steps

- Paste the drill template (supplied) to the desired mounting position on the ceiling.
- Drill the screw holes in the ceiling according to the supplied drill template.

Note:  
Drill the cable hole, if adopting ceiling outlet to route the cable.



- Connect the corresponding power cord, and network cable.
- Power on the camera, and set the network configuration (for details, refer to 3 Setting the Network Camera over the LAN and 4 Accessing via Web Browser) to check whether the image is gotten from the optimum angle. If not, adjust the surveillance angle.

- Loosen the No.1 adjusting screw to adjust the rotation position [0° to 360°].
- Tighten the No.1 adjusting screw.
- Loosen the No.2 adjusting screw to adjust the tilting position [-90° to 90°].
- Tighten the No. 2 adjusting screw.