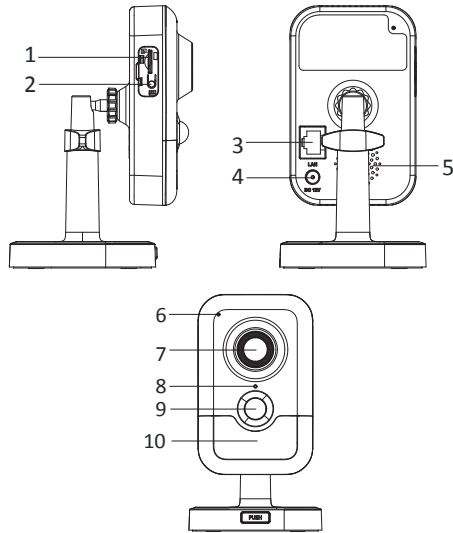


Type III Cube Camera

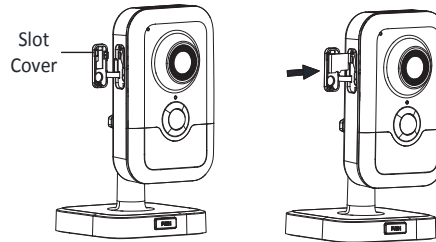
Quick Installation Guide



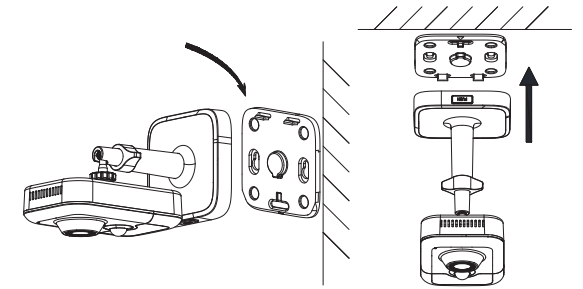
Installation Steps:

1. Memory Card Installation

- 1) Remove the memory card slot cover.
- 2) Insert the memory card into the slot.
- 3) (Optional) Push the inserted memory card to get it sprung out.
- 4) Replace the slot cover.



3. Buckle the camera base into the adapter plate.



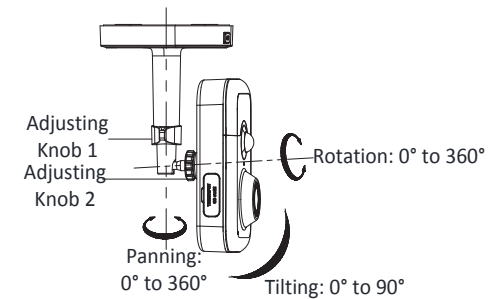
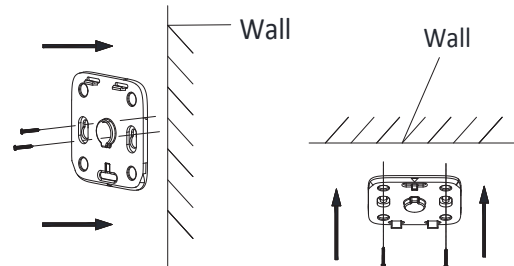
4. Adjust surveillance angle

- 1). Loosen the adjusting knob 1 to adjust the panning position and tilting position.
- 2). Loosen the adjusting knob 2 to adjust the rotation position.
- 3). After adjusting the angle of the camera to the desired position, fasten the two knobs.

No.	Description	No.	Description
1	Memory Card Slot	7	Lens
2	RESET/WPS	8	Indicator
3	1 RJ45 Ethernet port & PoE	9	PIR sensor
4	Power (12 VDC)	10	IR LED
5	Speaker		
6	Microphone		

2. Camera Mounting

This type of camera supports ceiling mounting and wall mounting. Install the adapter plate to the wall or ceiling with the supplied screws.



Note:

Press RESET about 10s when the camera is powering on or rebooting to restore the default settings, including the user name, password, IP address, port No., etc.

A wireless router with the WPS function is required to enable the WPS function of the camera. Refer the steps below.

- 1) Press the WPS button on the router.
- 2) Press the WPS button (about 2s) on the camera within 120s you enable the WPS of the router to join in the wireless network.

For detailed instructions of further configuration, please refer to the user manual of network camera.