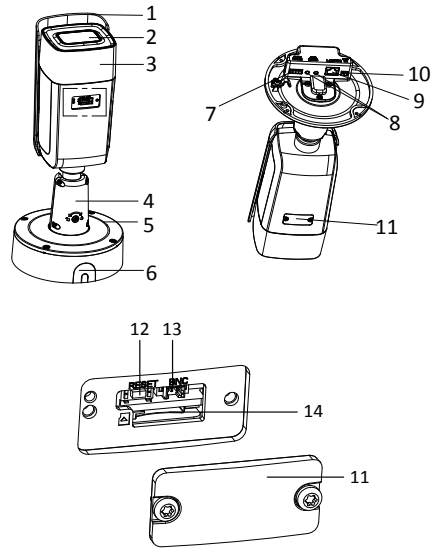


Bullet Type XI Network Camera

Quick Installation Guide

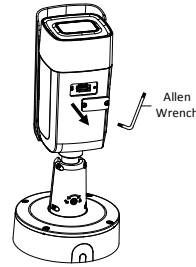


No.	Description	No.	Description
1	Sun Shield	8	Audio Interface
2	Lens	9	RJ 45 Network Interface
3	Front Cover	10	Power Interface
4	Three-axis Adjustment Bracket	11	Cover
5	Junction Box	12	Reset Button
6	Side Outlet Cover	13	Video Out (BNC)
7	Alarm Interface	14	Memory Card Slot

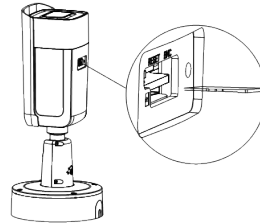
Installation Steps

1. Memory Card Installation

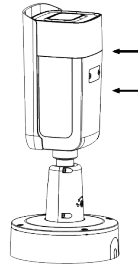
1). Loosen the screws using the supplied Allen wrench to remove the cover of the memory card slot



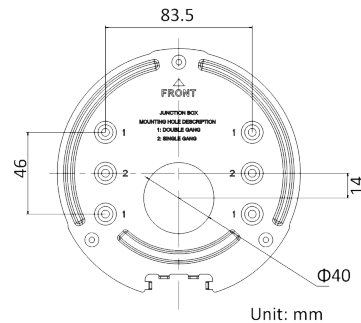
2). Insert the memory card into the memory card slot



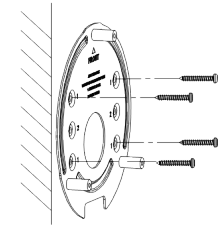
3). Tighten the screws to replace the slot cover



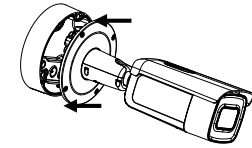
2. Drill screw holes in the wall/ceiling according to the holes 1 on the supplied adapter



3. Secure the adapter to the wall/ceiling with the screws



4. Loosen the screws to remove the junction box



5. Route the cables through the sealing plugs in the junction box

- 1). Pierce the sealing plugs on the junction box
- 2). Thread cables through the sealing plugs

Note:

For RJ45 network interface, use the supplied cable routing tool.

For the audio interface, first thread the audio cable through the sealing plug and then connect the audio connector to the cable.

