

Exit Button

LTKB02

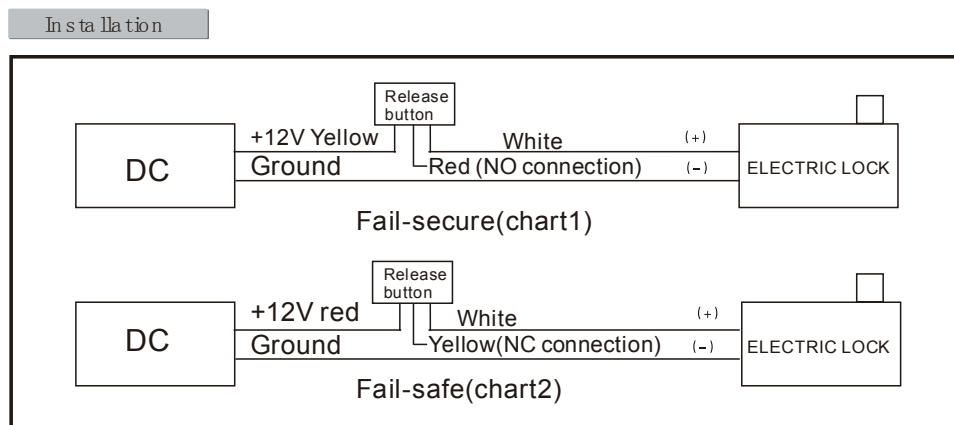
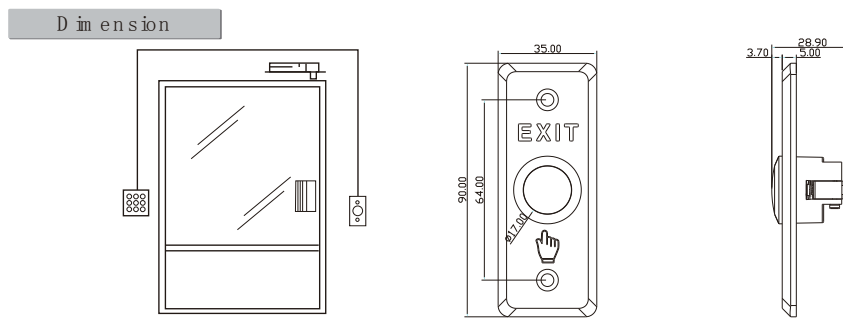
Accessory of Magnetic Lock

Features:

- Dimension (L×W×H): 90×35×28.9mm(3.54×1.38×1.14");
- Structure: aluminum alloy panel, metal button;
- Current Rating: 3A@36VDC Max;
- Output Contact: NO/NC/COM Contact;
- Aging Test: already passed 500 thousand times aging test;
- Suitable Doors: hollow doorframe and embedded-electric box;
- Working Temperature: -10° C to +55° C (14° F to 131° F);
- Working Humidity: 0 to 95% (relative humidity);
- Panel: aluminum panel with sandblast;
- Product Weight: 0.20kg (0.44lb).



Dimensions and Installation:



©2018 LT Security, Inc. All Rights Reserved. White papers, data sheets, quick start guides, and/or user manuals are for reference only and may or may not be entirely up to date or accurate based upon the version or models. Product names mentioned herein may be the unregistered and/or registered trademarks of their respective owners.