

LTKB02 Specifications

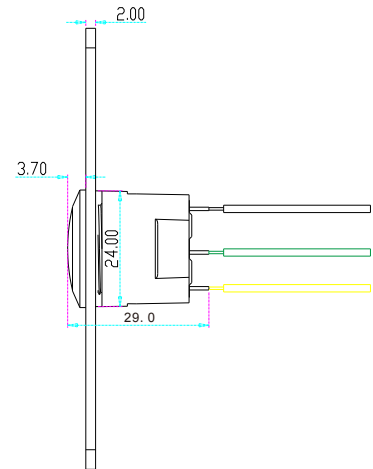
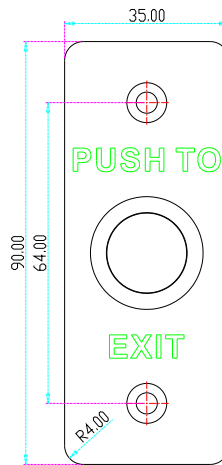
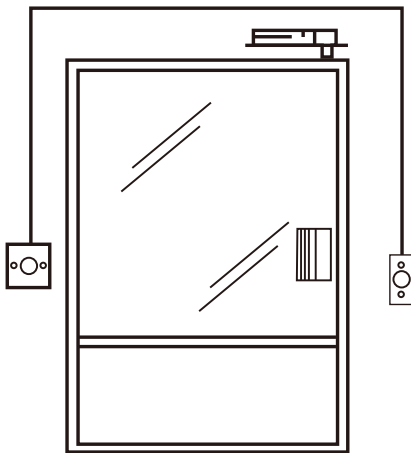
Product Image



Specification

- Size: 90Lx35Wx29H(mm)
- Current Rating: 3A@36VDC Max
- Operating temp: 10~+55°C
- Panel Material: 304 stainless steel panel with wiredrawing finish
- Suitable for Door: Hollow Door
- Standard Structure: 304 stainless steel panel and button
- Output Contact: NO\NC\COM
- Operating Humidity: 0-95% (non- condensing)
- Weight: 0.18kg

Installation & Size



Installation

