

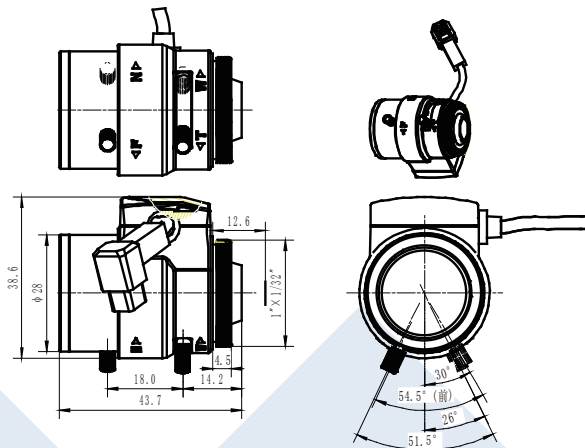
2MP 2.8-12mm CS DC Auto Iris Lens LTL281212



Key Features:

- 2.8-12mm
- CS Mount
- 1/2.7"
- Auto Iris

Dimensions:



2MP 2.8-12mm CS DC Auto Iris Lens

LTL281212

SPECIFICATION	
Focal-Length	2.8-12mm
F NO.	1.4
Optical back focal length	6.52mm
Mechanical back focal length	12.6mm
Image Circle	φ6.6mm
Lens Structure	8 Groups,8 Elements(All Glass)
FOV	Diagonal:127° -40° ,Horizontal:112° -35° ,Vertical:59° -19°
Distortion	52%-4.1%
Relative Illumination	45%-85%
CRA	6.7°
Coating Wavelength	>83%@486nm~650nm
Focus Range	0.2m~∞
Operating temperature range	-4 ° F - 140 ° F (-20 ° C - 60 ° C)
Weight	0.1lb(55g)