

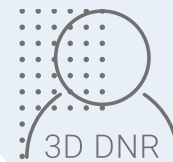
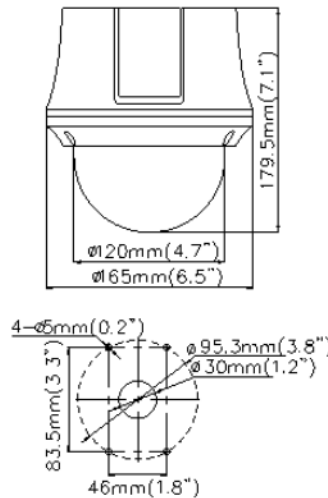
Platinum 1080P TVI PTZ High Speed Dome Camera 2.1MP PTZH212X23-C



Key Features:

- 2.1MP High Definition
- 1/3" CMOS
- 1920X1080P@30fps
- Adopts HDTV Technology
- 23x Optical Zoom
- True Day/Night, 3D DNR, DWDR, Privacy Masking
- AC 24V, Indoor
- 4"(Φ)

Dimensions:



Platinum 1080P TVI PTZ High Speed Dome Camera 2.1MP PTZH212X23-C

CAMERA	
Image Sensor	1/3" Progressive Scan CMOS
Min. Illumination	Color: 0.05Lux@(F1.6,AGC ON); B/W: 0.01Lux@(F1.6,AGC ON)
Max. Image Resolution	1920 x 1080
White Balance	Auto / Manual /ATW/Indoor/Outdoor
AGC	Auto / Manual
S / N Ratio	≥ 50dB
3D DNR	Support
BLC	Support
DWDR	Support
Shutter Time	1-1/10,000s
Day & Night	IR Cut Filter
Privacy Mask	8 privacy masks programmable; a maximum of 8 zones can be masked simultaneously on the same video screen
Lens	
Focal Length	4-92mm, 23x
Digital Zoom	16X
Zoom Speed	Approx.3s(Optical Wide-Tele)
Angle of View	49-2.2 degree (Wide-Tele)
Min. Working Distance	10-1000mm(Wide-Tele)
Aperture Range	F1.6-F3.5
Focus Mode	Auto / Semiautomatic / Manual
Pan and Tilt	
Pan Range	360° endless
Pan Speed	Pan Manual Speed: 0.1°-160°/s,Pan Preset Speed: 160°/s
Tilt Range	0-90° (Auto Flip)
Tilt Speed	Tilt Manual Speed: 0.1°-120°/s,Tilt Preset Speed: 120°/s
Number of Preset	256
Patrol	8 patrols, up to 32 presets per patrol
Pattern	4 patterns, with the total recording time not less than 10 minutes
Park action	Preset / Patrol / Pattern / Pan scan / Tilt scan / Panorama scan
Scheduled Task	Auto scan / Frame scan / Random scan / Patrol / Pattern / Preset / Panorama scan / Tilt scan /
RS-485 communication diagnosis	Support
Input/ Output	
HD Output	1 1080P output, 1.0V[p-p] / 75Ω, NTSC (or PAL) composite, BNC
CVBS Output	1.0V[p-p] / 75Ω, NTSC (or PAL) composite, BNC
Alarm Input	2
Alarm Output	1
RS-485 Interface	Half-duplex mode;Self-adaptive Pelco-P, Pelco-D protocol

Platinum 1080P TVI PTZ High Speed Dome Camera 2.1MP PTZH212X23-C

General	
Power	24V AC , Max. 12W
Working Temperature / Humidity	-30 °C-65°C(-22°F-149°F)/90% or less
Dimensions	Φ6.5"×7.1"(Φ165×179.5mm)
Weight (approx.)	4.4lbs(2.0kg)