

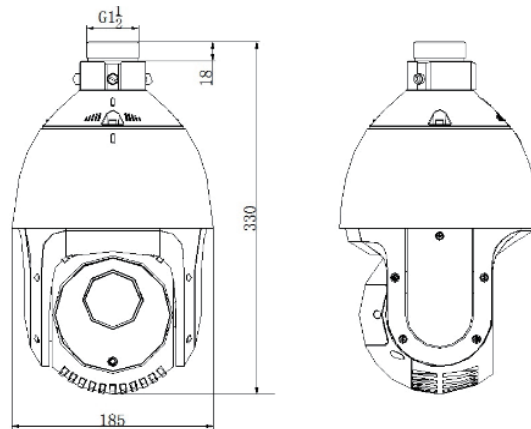
Platinum IP PTZ High Speed Dome Camera 2.1MP PTZIP512X20NIR



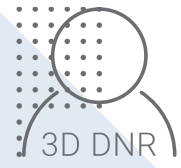
Key Features:

- 2.1MP High Definition
- 1/2.8" CMOS
- 1920X1080P@30fps
- 4.7-94mm Lens
- 20x Optical Zoom
- 4 IR LEDs up to 492ft (150m)
- True Day/Night, 3D DNR, DWDR, Privacy Masking
- AC 24V, High POE
- Support BNC output
- 5"(Φ)
- Wall Mount Bracket Included

Dimensions:



Unit:mm



Platinum IP PTZ High Speed Dome Camera 2.1MP PTZIP512X20NIR

CAMERA	
Image Sensor	1/2.8" Progressive Scan CMOS
Min. Illumination	F1.5, AGC On: Color: 0.02 lux, B/W : 0.002 lux, 0 lux with IR
White Balance	Auto / Manual /ATW/Indoor/Outdoor/Daylight lamp/Sodium lamp
AGC	Auto / Manual
S / N Ratio	≥ 52dB
3D DNR	Support
BLC	Support
HLC	Support
DWDR	Support
Defog	Support
Shutter Time	1-1/10,000s
Day & Night	IR Cut Filter
Digital Zoom	16X
Privacy Mask	8 privacy masks programmable
Focus Mode	Auto / Semiautomatic / Manual
Lens	
Focal Length	4.7-94mm, 20x
Zoom Speed	Approx.3s(Optical Wide-Tele)
Angle of View	58.3-3.2 degree (Wide-Tele)
Min. Working Distance	10-1000mm(Wide-Tele)
Aperture Range	F1.6-F3.5
Pan and Tilt	
Pan Range	360° endless
Pan Speed	Pan Manual Speed: 0.1°-400°/s,Pan Preset Speed: 400°/s
Tilt Range	-15°-90° (Auto Flip)
Tilt Speed	Tilt Manual Speed: 0.1°-200°/s,Tilt Preset Speed: 200°/s
Number of Preset	300
Park action	Preset / Patrol / Pattern / Pan scan / Tilt scan / Random scan / Frame scan / Panorama scan
Patrol	8 patrols, up to 32 presets per patrol
Scheduled Task	Auto scan / Frame scan / Random scan / Patrol / Pattern / Preset / Panorama scan / Tilt scan / Dome reboot / Dome adjust / Aux output
Features	
Detection	Intrusion detection, Line crossing detection, Audio exception detection, Motion detection
ROI encoding	Support 4 areas with adjustable levels
Infrared	
IR Distance	492ft(150m)
IR Intensity	Automatically adjusted, depending on the zoom ratio

Platinum IP PTZ High Speed Dome Camera 2.1MP PTZIP512X20NIR

Input/ Output	
Alarm Input	2
Alarm Output	1
Alarm Trigger	Intrusion detection, Line crossing detection, Motion detection, Audio Exception Detection, Dynamic analysis, Tampering alarm, Network disconnect, IP address conflict, Storage exception
Alarm Actions	Preset, Patrol, Pattern, Recording, Relay output, Upload center, upload FTP, email linkage
Audio Input	1 Mic in/Line in interface, line input: 2-2.4V[p-p]; output impedance: 1K Ω , \pm 10%
Audio Output	1 Audio output interface, line level, impedance: 600 Ω
Network	
Ethernet	10Base-T / 100Base-TX, RJ45 connector
Max. Image Resolution	1920 \times 1080
Frame Rate	60Hz: 30 fps (1920 \times 1080), 30 fps (1280 \times 720) 50Hz: 25 fps (1920 \times 1080), 25 fps (1280 \times 720)
Sub Stream	60Hz:30fps(704 \times 480), 30fps(352 \times 240), 30fps(320 \times 240) 50Hz:25fps(704 \times 576), 25fps(352 \times 288), 25fps(320 \times 240)
Image Compression	H.265+/H.265/H.264 Zip+/H.264/MJPEG
Audio Compression	G.711ulaw/G.711alaw/G.726/MP2L2/G.722
Protocols	IPv4/IPv6, HTTP, HTTPS, 802.1X, QoS, FTP, SMTP, UPnP, SNMP, DNS, DDNS, NTP, RTSP, RTP, TCP, UDP, IGMP, ICMP, DHCP, PPoE
Number of Simultaneous Live View	Up to 20 users
Mini SD Memory Card	Support up to 128GB Micro SD/SDHC/SDXC card. Support Edge recording
User/Host Level	Up to 32 users, 3 Levels: Administrator, Operator and User
Security Measures	User authentication (ID and PW), Host authentication (MAC address), IP address filtering
General	
Interface for application programming	Open-ended API, support ONVIF Profile S, Profile G, PSIA and CGI
Power	24 VAC & Hi-PoE, Max. 30W
Working Temperature / Humidity	-22 $^{\circ}$ F ~ 149 $^{\circ}$ F (-30 $^{\circ}$ C ~ 65 $^{\circ}$ C), 90% or less
Security Measures	User authentication (ID and PW), Host authentication (MAC address), IP address filtering
Weatherproof Rating	IP66 standard
Surge Protection Level	TVS 4,000V lightning protection, surge protection and voltage transient protection
Dimensions	Φ 10.5" \times 14.4" (Φ 266.6 \times 365.2mm)
Weight (approx.)	8.8lbs (4.0kg)