

PTZIP762X20IR

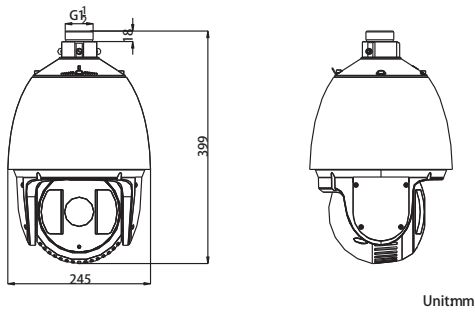
2MP Network IR PTZ Dome Camera



Key features

- 1/3" Progressive Scan CMOS
- 20X Optical Zoom (4.7-94mm)
- True Day/Night, 3D DNR
- 30fps(N)/25fps(P) at HD1080p resolution
- H.264/MJPEG, Dual Streaming, Privacy Masking
- IP66

Dimensions



PTZIP762X20IR	
Camera	
Image sensor	1/3" Progressive Scan CMOS
Effective pixel	2230K pixels
Min. illumination	Color: 0.05Lux@F1.6, B/W: 0.005Lux@F1.6
White balance	Auto / manual / one touch wb / atw
AGC	Auto / manual
S / N ratio	≥ 50dB
DNR	Off / normal / expert
BLC	On / Off
Shutter time	60Hz: 1/30-1/100,000s; 50Hz: 1/25-1/100,000s
Day & night	IR Cut Filter
Privacy mask	24 privacy masks programmable; a max. of 8 zones can be masked simultaneously on the same video screen
Focus mode	Auto / semiautomatic / manual
Lens	
Focal length	4.7 - 94mm, 20x
Zoom speed	Approx.2.7s (Optical Wide-Tele)
Angle of view	58.3 - 3.2 degree (Wide-Tele)
Min. working distance	10 - 1,500mm (Wide-Tele)F1.6 - F3.5
Aperture range	F1.6 - F3.5
Pan and Tilt	
Pan range	360° endless
Pan speed	Pan manual speed: 0.1° -160° /s, pan preset speed: 160° /s
Tilt range	-2° - 90° (Auto Flip)
Tilt speed	Tilt manual speed: 0.1° -120° /s, tilt preset speed: 120° /s
Proportional zoom	Rotation speed can be adjusted automatically according to zoom multiples
Number of preset	256
Patrol	8 patrols, up to 32 presets per patrol
Pattern	4 patterns, with the recording time not less than 10 minutes per pattern
Power-off memory	Support
Park action	Preset / patrol / pattern / pan scan / tilt scan / random scan / frame scan / panorama scan
PTZ position display	On / off
Preset freezing	Support
Infrared	
IR Distance	394ft(120m)
IR LEDs	14
Alarm	
Alarm input	7
Alarm output	2
Alarm action	Preset, Patrol, Pattern, SD/SDHC card record, Relay output, Notification on client
Input/Output	
Monitor output	1.0V[p-p] / 75Ω , NTSC (or PAL) composite, BNC
Audio input	Audio input (Line input), 2-2.4V[p-p]; output impedance: 1KΩ , ±10%
Audio output	Line level, impedance: 600Ω
Network	
Ethernet	10 Base-T / 100Base-TX, RJ45 connector
Max.image resolution	1920×1080
Frame rate	60Hz: 30 fps (1920×1080), 30 fps (1280×960), 30 fps (1280×720); 50Hz: 25 fps (1920×1080), 25 fps (1280×960), 25 fps (1280×720);
Image compression	H264 Zip+ / H.264 / MJPEG / MPEG4
Audio compression	G.711ulaw / G.711alaw / G.726
Protocols	IPv4, HTTP, HTTPS, 802.1x, Qos, FTP, SMTP, UPnP, SNMP, DNS, DDNS, NTP, RTSP, RTP, TCP, UDP, IGMP, ICMP, DHCP, PPPoE
Simultaneous Live View	Up to 10
Dual streams	Support
Mini SD memory card	Manual REC / Alarm REC. Built-in SD/SDHC Slot, up to 32GB
User / host	levelUp to 16 users,3 Levels: Administrator, Camera control, Live view only
Security measures	User authentication (ID and PW), Host authentication (MAC address)
System Integration	
Interface for application programming	Open-ended AP, support Onvif, PSIA and CGI
Client GUI	
Camera Control	Pan / tilt, zoom, focus, click centering, drag zoom, iris, preset position call and program, auto mode.
Camera Name	Up to 18 Characters
Date & Time Display	Time: Week: Date, 6 formats on the Client
General	
Menu language	English
RS-485 protocols (optional)	LTS, Pelco-P, Pelco-D, self-adaptive
Power supply	24VAC/3A
Power Consumption	Max. 50W (IR LED On), Max. 35W (IR LED Off)
Working temperature / humidity	-22° F ~ 149° F(-30° C ~ 65° C) (outdoor) / 14° F ~ 122° F(-10° C ~ 50° C) (indoor), 90% or less
Protection level	IP66 standard (outdoor dome); TVS 4,000V lightning protection, surge protect & voltage transient protection
Mounting	Various mounting modes (optional)
Dimensions	9.65 (D) x 15.71" (H)(245.0 x 399.0mm)
Weight (approx.)	12.13 lbs(5.5 kg)