

# **Network Speed Dome**

## **Quick Start Guide**

## **Quick Start Guide**

### **About this Manual**

This Manual is applicable to Network Speed Dome.

The Manual includes instructions for using and managing the product. Pictures, charts, images and all other information hereinafter are for description and explanation only. The information contained in the Manual is subject to change, without notice, due to firmware updates or other reasons. Please find the latest version in the company website.

Please use this user manual under the guidance of professionals.

### **Legal Disclaimer**

TO THE MAXIMUM EXTENT PERMITTED BY APPLICABLE LAW, THE PRODUCT DESCRIBED, WITH ITS HARDWARE, SOFTWARE AND FIRMWARE, IS PROVIDED "AS IS", WITH ALL FAULTS AND ERRORS, AND OUR COMPANY MAKES NO WARRANTIES, EXPRESS OR IMPLIED, INCLUDING WITHOUT LIMITATION, MERCHANTABILITY, SATISFACTORY QUALITY, FITNESS FOR A PARTICULAR PURPOSE, AND NON-INFRINGEMENT OF THIRD PARTY. IN NO EVENT WILL OUR COMPANY, ITS DIRECTORS, OFFICERS, EMPLOYEES, OR AGENTS BE LIABLE TO YOU FOR ANY SPECIAL, CONSEQUENTIAL, INCIDENTAL, OR INDIRECT DAMAGES, INCLUDING, AMONG OTHERS, DAMAGES FOR LOSS OF BUSINESS PROFITS, BUSINESS INTERRUPTION, OR LOSS OF DATA OR DOCUMENTATION, IN CONNECTION WITH THE USE OF THIS PRODUCT, EVEN IF OUR COMPANY HAS BEEN ADVISED OF THE POSSIBILITY OF SUCH DAMAGES.

REGARDING TO THE PRODUCT WITH INTERNET ACCESS, THE USE OF PRODUCT SHALL BE WHOLLY AT YOUR OWN RISKS. OUR COMPANY SHALL NOT TAKE ANY RESPONSIBILITIES FOR ABNORMAL OPERATION, PRIVACY LEAKAGE OR OTHER DAMAGES RESULTING FROM CYBER ATTACK, HACKER ATTACK, VIRUS INSPECTION, OR OTHER INTERNET SECURITY RISKS; HOWEVER, OUR COMPANY WILL PROVIDE TIMELY TECHNICAL SUPPORT IF REQUIRED.

SURVEILLANCE LAWS VARY BY JURISDICTION. PLEASE CHECK ALL RELEVANT LAWS IN YOUR JURISDICTION BEFORE USING THIS PRODUCT IN ORDER TO ENSURE THAT YOUR USE CONFORMS THE APPLICABLE LAW. OUR COMPANY SHALL NOT BE LIABLE IN THE EVENT THAT THIS PRODUCT IS USED WITH ILLEGITIMATE PURPOSES.

IN THE EVENT OF ANY CONFLICTS BETWEEN THIS MANUAL AND THE APPLICABLE LAW, THE LATER PREVAILS.

## Regulatory Information

### FCC Information

Please take attention that changes or modification not expressly approved by the party responsible for compliance could void the user's authority to operate the equipment.

**FCC compliance:** This equipment has been tested and found to comply with the limits for a Class A digital device, pursuant to part 15 of the FCC Rules. These limits are designed to provide reasonable protection against harmful interference when the equipment is operated in a commercial environment. This equipment generates, uses, and can radiate radio frequency energy and, if not installed and used in accordance with the instruction manual, may cause harmful interference to radio communications. Operation of this equipment in a residential area is likely to cause harmful interference in which case the user will be required to correct the interference at his own expense.

### FCC Conditions

This device complies with part 15 of the FCC Rules. Operation is subject to the following two conditions:

1. This device may not cause harmful interference.
2. This device must accept any interference received, including interference that may cause undesired operation

### EU Conformity Statement



This product and - if applicable - the supplied accessories too are marked with "CE" and comply therefore with the applicable harmonized European standards listed under the EMC Directive 2014/30/EU, the RoHS Directive 2011/65/EU.



2012/19/EU (WEEE directive): Products marked with this symbol cannot be disposed of as unsorted municipal waste in the European Union. For proper recycling, return this product to your local supplier upon the purchase of equivalent new equipment, or dispose of it at designated collection points.

For more information see: [www.recyclethis.info](http://www.recyclethis.info).



2006/66/EC (battery directive): This product contains a battery that cannot be disposed of as unsorted municipal waste in the European Union. See the product documentation for specific battery information. The battery is marked with this symbol, which may include lettering to indicate cadmium (Cd), lead (Pb), or mercury (Hg). For proper recycling, return the battery to your supplier or to a designated collection point. For more information see: [www.recyclethis.info](http://www.recyclethis.info).

### Industry Canada ICES-003 Compliance

This device meets the CAN ICES-3 (A)/NMB-3(A) standards requirements.



## Safety Instruction

These instructions are intended to ensure that user can use the product correctly to avoid danger or property loss.

The precaution measure is divided into **Warnings** and **Cautions**:

**Warnings:** Neglecting any of the warnings may cause serious injury or death.

**Cautions:** Neglecting any of the cautions may cause injury or equipment damage.

	
<b>Warnings</b> Follow these safeguards to prevent serious injury or death.	<b>Cautions</b> Follow these precautions to prevent potential injury or material damage.



### Warnings

- In the use of the product, you must be in strict compliance with the electrical safety regulations of the nation and region.
- Refer to technical specifications for detailed information.
- Input voltage should meet both the SELV (Safety Extra Low Voltage) and the Limited Power Source with 24 VAC or 12 VDC according to the IEC60950-1 standard. Refer to technical specifications for detailed information.
- Do not connect several devices to one power adapter as adapter overload may cause over-heating or a fire hazard.
- Make sure that the plug is firmly connected to the power socket.
- Make sure that the power has been disconnected before you wire, install or dismantle the speed dome.
- When the product is mounted on wall or ceiling, the device shall be firmly fixed.
- If smoke, odor or noise rise from the device, turn off the power at once and unplug the power cable, and then contact the service center.
- If the product does not work properly, contact your dealer or the nearest service center. Never attempt to disassemble the speed dome yourself. (We shall not assume any responsibility for problems caused by unauthorized repair or maintenance.)



### Cautions

- If the speed dome fails to synchronize local time with that of the network, you need to set up speed dome time manually. Visit the speed dome (via web browser or client software) and enter system settings interface for time settings.
- Make sure the power supply voltage is correct before using the speed dome.

- Do not drop the speed dome or subject it to physical shock, and do not expose it to high electromagnetism radiation. Avoid installation on vibrations surface or places subject to shock (ignorance can cause device damage).
- Do not touch sensor modules with fingers. If cleaning is necessary, use clean cloth with a bit of ethanol and wipe it gently. If the speed dome will not be used for an extended period, replace the lens cap to protect the sensor from dirt.
- Do not aim the speed dome at the sun or extra bright places. Blooming or smearing may occur otherwise (which is not a malfunction), and affect the endurance of sensor at the same time.
- The sensor may be burned out by a laser beam, so when any laser equipment is in using, make sure that the surface of sensor will not be exposed to the laser beam.
- Do not place the speed dome in extremely hot, cold, dusty or damp locations, and do not expose it to high electromagnetic radiation.
- To avoid heat accumulation, good ventilation is required for operating environment.
- Keep the speed dome away from liquid while in use.
- While in delivery, the speed dome shall be packed in its original packing, or packing of the same texture.
- Improper use or replacement of the battery may result in hazard of explosion. Replace with the same or equivalent type only. Dispose of used batteries according to the instructions provided by the battery manufacturer.

## Table of Contents

<b>1 Overview</b> .....	<b>1</b>
1.1 Speed Dome Overview .....	1
1.1.1 Overview of Type I Speed Dome .....	1
1.1.2 Overview of Type II Speed Dome .....	1
1.1.3 <b>Overview of Type III Speed Dome</b> .....	2
1.1.4 Overview of Type IV Speed Dome.....	3
1.1.5 Overview of Type V Speed Dome.....	3
1.2 Cable Interfaces.....	3
1.3 Alarm Output.....	4
<b>2 Installation</b> .....	<b>5</b>
2.1 Installing Type I Speed Dome .....	5
2.1.1 Wall Mounting .....	5
2.1.2 In-ceiling Mounting.....	9
2.1.3 Ceiling Mounting.....	11
2.2 Installing Type II Speed Dome .....	14
Wall Mounting .....	14
2.3 <b>Installing Type III Speed Dome</b> .....	16
Wall Mounting .....	16
2.4 Installing Type IV Speed Dome .....	19
Wall Mounting .....	19
2.5 Installing Type V Speed Dome .....	22
Wall Mounting .....	22
<b>3 Setting the Speed Dome over the LAN</b> .....	<b>27</b>
3.1 Wiring .....	27
3.2 Activating the Speed Dome .....	27
3.2.1 Activation via Web Browser.....	28
3.2.2 Activation via IP PORTAL Software.....	28
3.3 Modifying the IP Address .....	29
<b>4 Accessing via Web Browser</b> .....	<b>31</b>

# 1 Overview

## 1.1 Speed Dome Overview

The network speed dome has five types. The figures below are for reference only, refer to the actual product as the standard.

**PTZIP762 Series belong to Type III Speed Dome.**

### 1.1.1 Overview of Type I Speed Dome

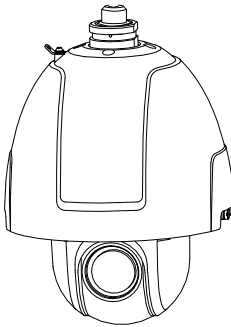


Figure 1-1 Overview of Type I Speed Dome

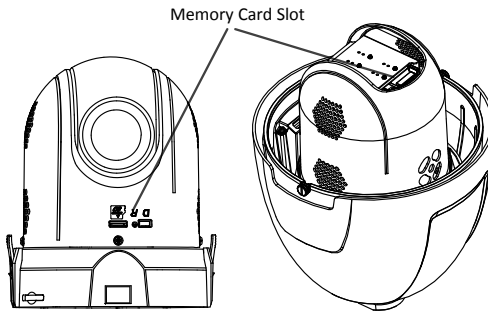


Figure 1-2 Memory Card Slot

### 1.1.2 Overview of Type II Speed Dome

**Note:**

There are two different appearances of Type II speed dome. Refer to the actual product for the location of memory card slot.

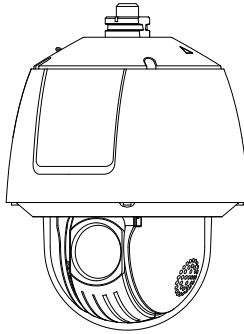


Figure 1-3 Overview of Type II Speed Dome

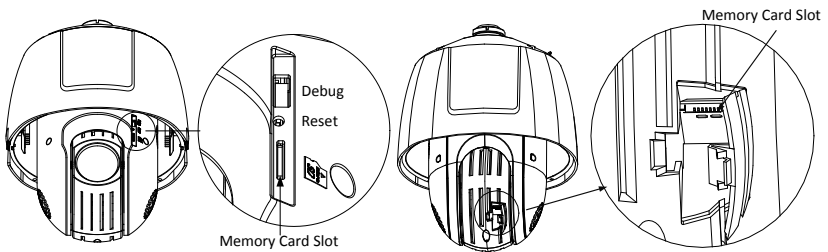


Figure 1-4 Memory Card Slot

### 1.1.3 Overview of Type III Speed Dome

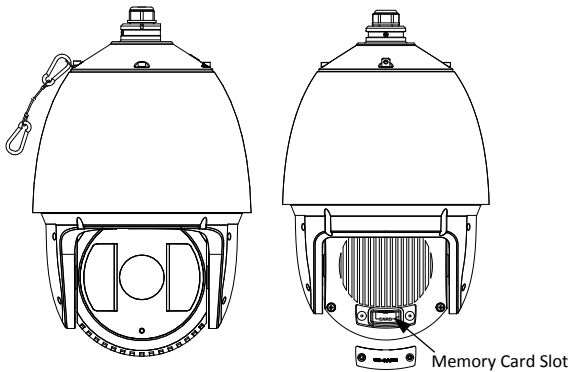


Figure 1-5 Overview of Type III Speed Dome



### 1.1.4 Overview of Type IV Speed Dome

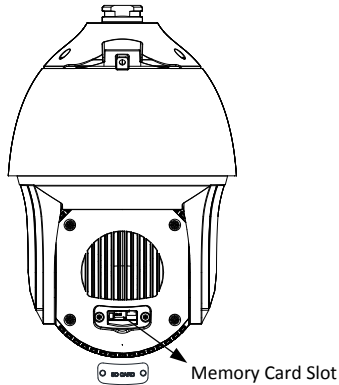


Figure 1-6 Overview of Type IV Speed Dome

### 1.1.5 Overview of Type V Speed Dome

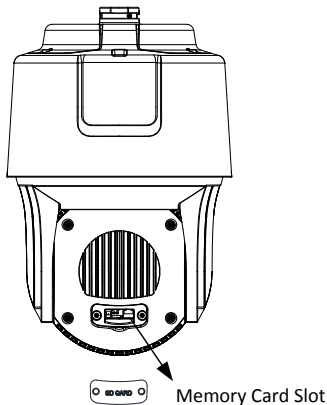


Figure 1-7 Overview of Type V Speed Dome

## 1.2 Cable Interfaces

The cable interfaces of the speed dome are shown in Figure 1-8. The cables are distinguished by different colors. Refer to the labels attached on the cables for identification.

**Notes:**

- The cables vary depending on different speed dome models.
- Make sure the speed dome is power-off before you connect the cables.

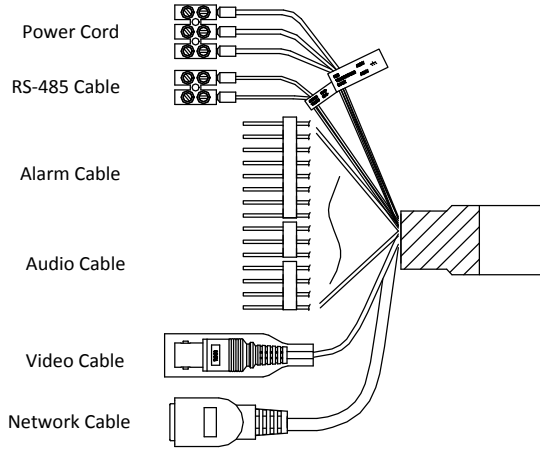


Figure 1-8 Cable Interfaces

### 1.3 Alarm Output

Alarm output is shown in Figure 1-9.

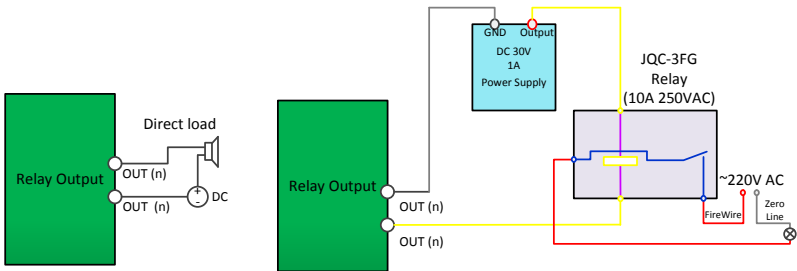


Figure 1-9 Alarm Output

## 2 Installation

### *Before you start:*

Check the package contents and make sure that the device in the package is in good condition and all the assembly parts are included.

### *Notes:*

- Do not touch the bubble directly by hand. The image blurs otherwise.
- Do not power the speed dome up until the installation is finished. To ensure the safety of personnel and equipment, all the installation steps should be done with power supply off.
- Do not drag the speed dome with its waterproof cables; otherwise the waterproof performance is affected.

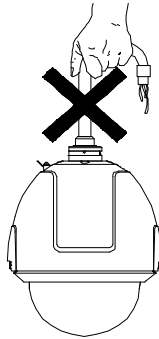


Figure 2-1 Do Not Drag the Cables

## 2.1 Installing Type I Speed Dome

### 2.1.1 Wall Mounting

#### *Notes:*

- For cement wall, you need to use the expansion screw to fix the bracket. The mounting hole of the expansion pipe on the wall should align with the mounting hole on the bracket.
- For wooden wall, you can just use the self-tapping screw to fix the bracket.
- Make sure that the wall is strong enough to withstand more than eight times the weight of the speed dome and the accessories.
- The bracket in Figure 2-7 is the recommended bracket for this series of speed dome, and a pendant adapter is required if any other bracket is selected. The dimension of pendant adapter is  $G1\frac{1}{2}$ .

**Steps:**

1. Loosen the two lock screws on both sides of the speed dome.

**Note:**

Do not remove the lock screws from the speed dome.

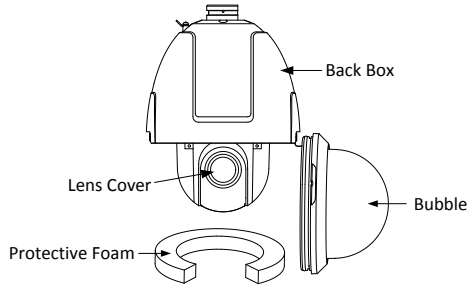


Figure 2-2 Remove the Bubble

2. Pull the bubble to separate it from the back box, and remove the protective accessories.

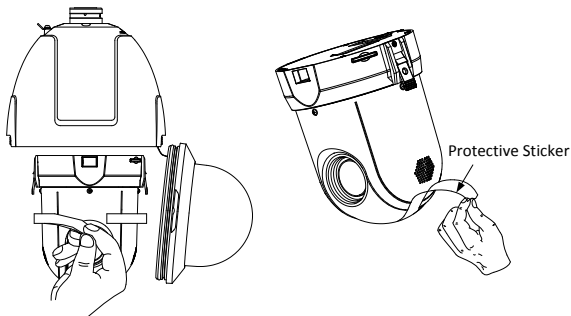


Figure 2-3 Remove the Protective Accessories for Separated Speed Dome

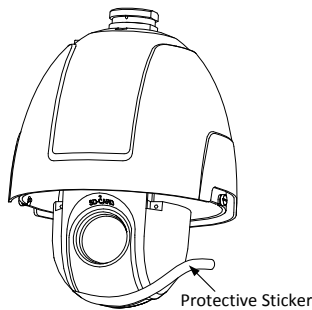


Figure 2-4 Remove the Protective Accessories for Integrated Speed Dome

- If the speed dome supports PoE (Power over Ethernet) function, you can switch the PoE+ and Hi-PoE function for the speed dome. If PoE function is not supported, skip this step.

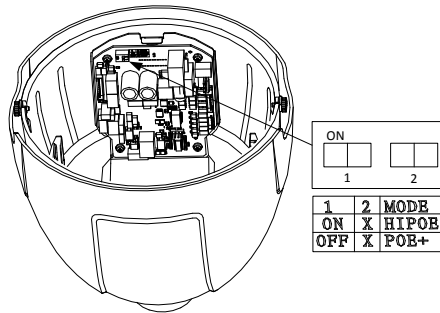


Figure 2-5 PoE+ and Hi-PoE Switch

**Note:**

If you choose Hi-PoE, a Hi-PoE adapter must be connected. The Hi-PoE module connection is shown in Figure 2-6.

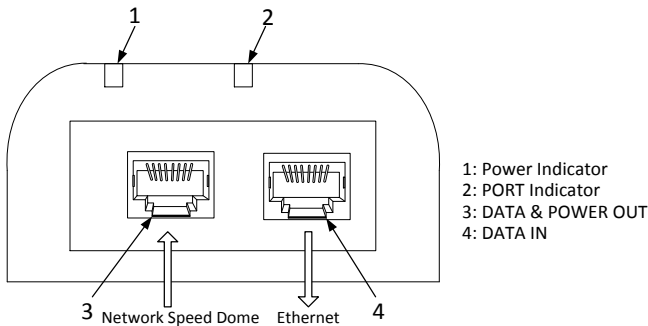


Figure 2-6 Hi-PoE Connection

**Connecting Hi-PoE**

**Steps:**

- Connect the Hi-PoE module to the Internet via the DATA IN interface with a network cable.
- Connect the Hi-PoE module to the speed dome via the DATA & POWER OUT interface with a network cable.
- Power on the Hi-PoE module.
- Install the memory card.
- Align the cuts on the bubble with the lock screws on the back box to reinstall the bubble. Tighten the lock screws.

6. Install the bracket.

- 1). Drill four screw holes in the wall according to the holes on the bracket, and then insert four M8 expansion screws into the mounting holes.
- 2). Attach the gasket and the bracket to the wall by aligning the four screw holes on the bracket with four expansion screws on the wall.
- 3). Secure the bracket with four hex nuts and washers.

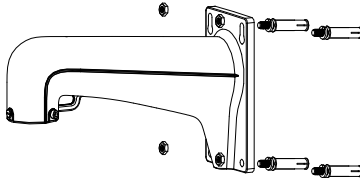


Figure 2-7 Secure the Bracket

7. Install the speed dome to the bracket.

- 1). Hang the safety rope to the speed dome and the hook on the bracket as shown in Figure 2-8.
- 2). Route the speed dome cables through the bracket.
- 3). Connect the corresponding cables.

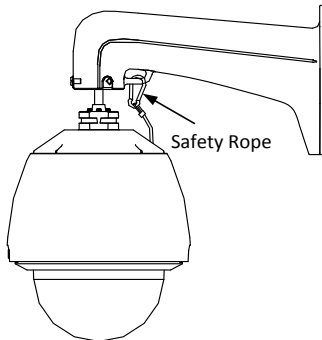


Figure 2-8 Hang the Safety Rope

- 4). Loosen the two lock screws on the bracket.
- 5). Install the speed dome to the bracket. Rotate the speed dome clockwise tightly.
- 6). Secure the two lock screws with the wrench.

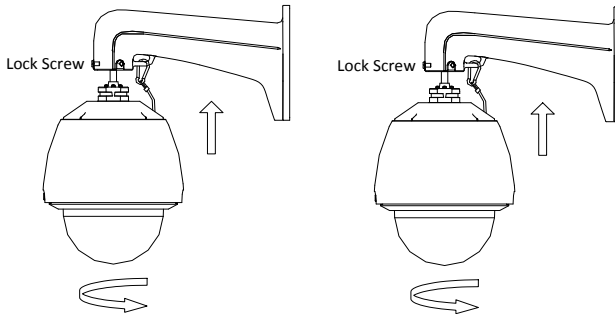


Figure 2-9 Install the Speed Dome to the Bracket

8. Remove the protective film on the bubble after the installation is finished..

### 2.1.2 In-ceiling Mounting

**Note:**

In-ceiling mounting is only supported by indoor speed dome models of Type I.

**Before you start:**

- The height of the space above the ceiling must be more than 250 mm.
- The thickness of the ceiling must range from 5 mm to 40 mm.
- The ceiling must be strong enough to withstand more than four times the weight of the speed dome and the accessories.

**Steps:**

1. Rotate the bubble counterclockwise to separate it from the back box.
2. Remove the protective lens cover, foam, and sticker from the dome drive.
3. Install the memory card.
4. Attach the bubble to the back box, and rotate clockwise to secure it.

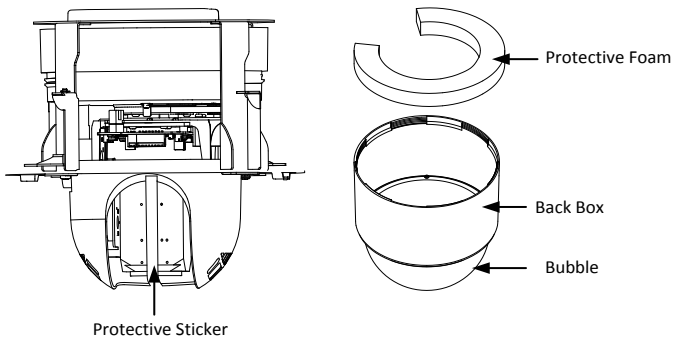


Figure 2-10 Remove the Protective Accessories

5. Drill a hole on the ceiling according to the drill template (supplied).

**Note:**

±2 mm of the circle diameter is tolerable.

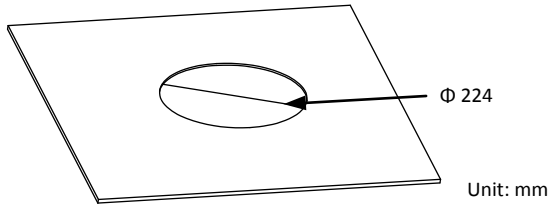


Figure 2-11 Drill a Hole on the Ceiling

6. Connect the cables.
7. Install the speed dome to the ceiling.
  - 1). Loosen the two lock screws on both sides of the back box and make the locks in internal position as shown in Figure 2-12.

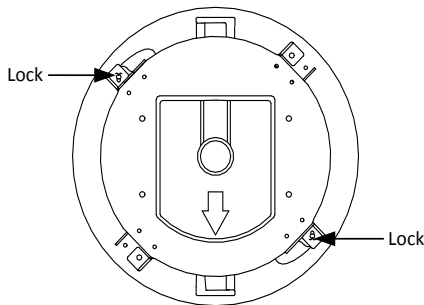


Figure 2-12 Locks and Lock Screws

- 2). Push the speed dome into the mounting hole in the ceiling.
- 3). Tighten the lock screws with the screwdriver and the locks will automatically rotate outwards to secure the in-ceiling bracket to the ceiling.

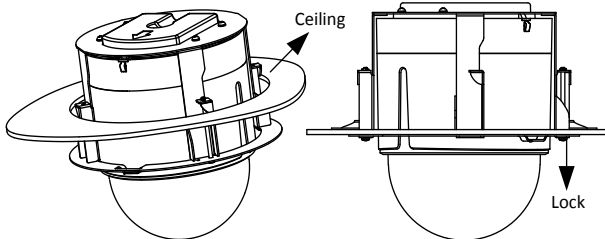


Figure 2-13 Install the Back Box

8. Install the flange.



- 1). Attach the flange to the bubble and align the triangular notch of the trim ring with the arrow label on the in-ceiling bracket.
- 2). Firmly place the flange to the ceiling, and rotate the flange in the direction of the arrow to secure it.

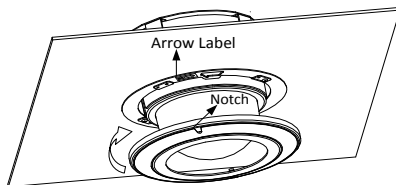


Figure 2-14 Install the Flange

9. Remove the protective film on the bubble after the installation is finished.

### 2.1.3 Ceiling Mounting

**Note:**

Ceiling mounting is only supported by indoor speed dome models of Type I.

**Before you start:**

- The thickness of the ceiling must range from 5 mm to 40 mm.
- The ceiling must be strong enough to withstand more than four times the weight of the speed dome and the accessories.
- If the speed dome is installed to the wooden ceiling, use the self-tapping screws to secure the mounting base.
- If the speed dome is installed to the cement ceiling, drill three  $\Phi 5$  mm screw holes onto the ceiling according to the position of the holes, and then secure the mounting base to the ceiling with expansion screws.

**Steps:**

1. The ceiling mounting speed dome is installed with an in-ceiling bracket by default. You need to remove the in-ceiling bracket first before you install the speed dome.
  - 1). Loosen and remove the four screws as shown in Figure 2-15.

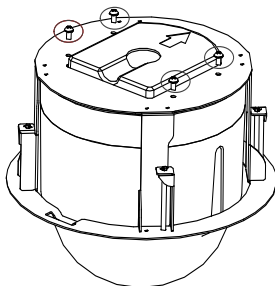


Figure 2-15 Remove the Screws

- 2). Remove the in-ceiling bracket as shown in Figure 2-16.

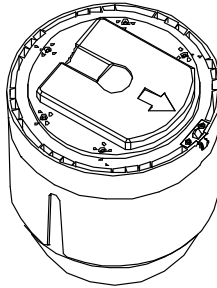


Figure 2-16 Remove the Bracket

- 3). Install four bolts to the screw holes as shown in Figure 2-17.

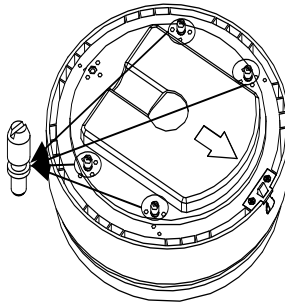


Figure 2-17 Install the bolts

2. Route the cables. The cables of speed dome can be routed either from the top or the side of the back box, as shown in Figure 2-18. For the cables routed from the top of the back box, it is required to drill a cable hole in the ceiling.

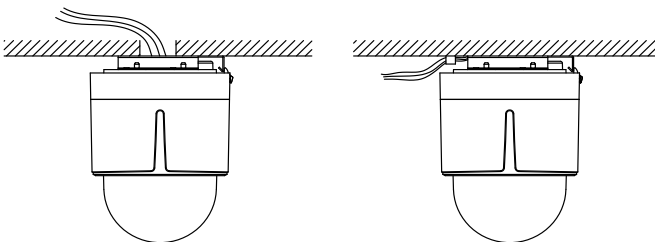


Figure 2-18 Cabling for Ceiling Mounting

3. Install the speed dome.
  - 1). Rotate the bubble counterclockwise to separate it from the back box.
  - 2). Remove the protective lens cover, foam, and sticker from the dome drive.

- 3). Attach the bubble to the back box, and rotate clockwise to secure it.
- 4). Use the mounting base as a template to mark four screw holes onto the ceiling.
- 5). If you route cables from the top of the back box, mark the cable hole on the ceiling and drill a hole.
- 6). Secure the mounting base to the ceiling with the set screws.

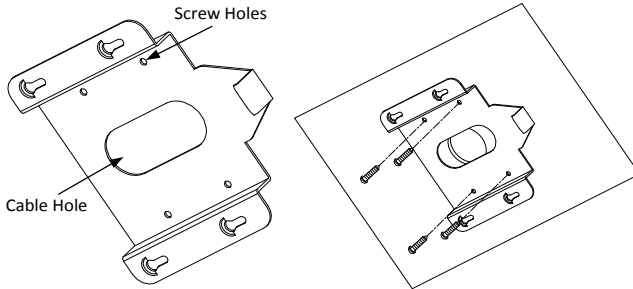


Figure 2-19 Secure the Mounting Base

- 7). Route the cables for the speed dome. Align the bottom of the speed dome with the mounting base.
- 8). Line up the direction of arrow with the spring end of the mounting base.
- 9). Push the speed dome upwards and then forwards in the direction of the arrow. When the speed dome is placed in position, the spring will automatically snap into the lock clip firmly as shown in Figure 2-20.

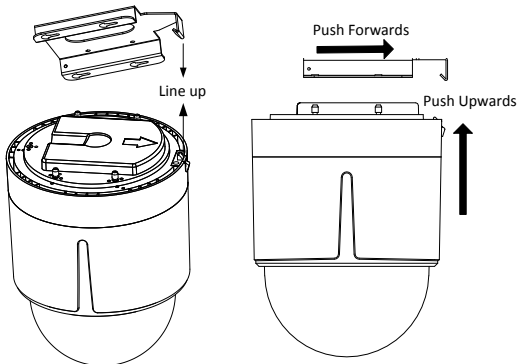


Figure 2-20 Attach the Back Box to the Mounting Base

4. Remove the protective film on the bubble after the installation is finished.

## 2.2 Installing Type II Speed Dome

### Wall Mounting

#### Notes:

- For cement wall, you need to use the expansion screw to fix the bracket. The mounting hole of the expansion pipe on the wall should align with the mounting hole on the bracket.
- For wooden wall, you can just use the self-tapping screw to fix the bracket.
- Make sure that the wall is strong enough to withstand more than eight times the weight of the speed dome and the accessories.
- The bracket in Figure 2-7 is the recommended bracket for this series of speed dome, and a pendant adapter is required if any other bracket is selected. The dimension of pendant adapter is  $G1\frac{1}{2}$ .

#### Steps:

1. Loosen the four lock screws on the speed dome flange as shown in Figure 2-21.

#### Note:

Do not remove the lock screws from the speed dome.

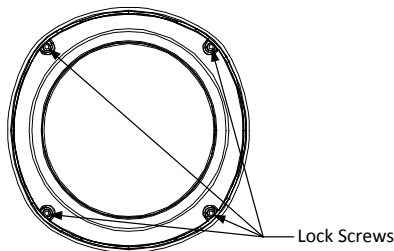


Figure 2-21 Loosen the Lock Screws

2. Pull the bubble to separate it from the back box, and remove the protective foam, sticker and lens cover from the dome drive.

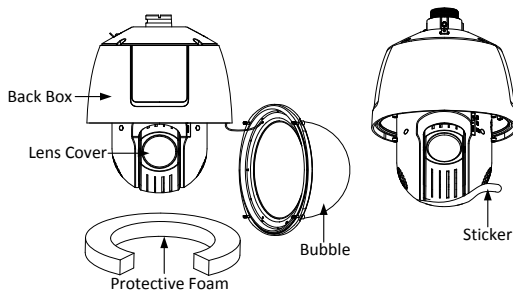


Figure 2-22 Remove the Protective Accessories

3. Install the memory card.

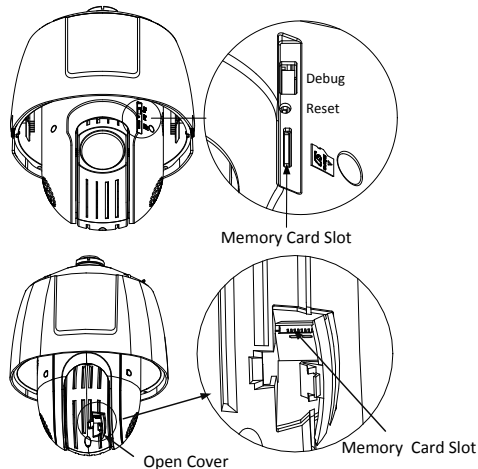


Figure 2-23 Install the Memory Card.

4. Align the cuts on the bubble with the lock screws on the back box to reinstall the bubble. Tighten the lock screws.
5. Refer to **steps 6** in **section 2.1.1 Wall Mounting** to install the bracket.
6. Install the speed dome to the bracket.
  - 1). Hook the back box of the speed dome to the bracket with the safety rope. Route the cables through the bracket.
  - 2). Connect the corresponding cables.

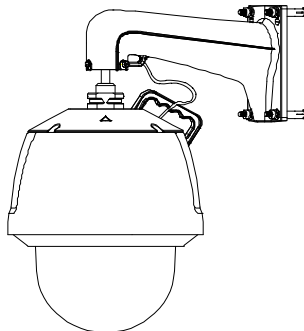


Figure 2-24 Hang the Safety Rope

- 3). Loosen the two lock screws on the bracket.
- 4). Install the speed dome to the bracket. Rotate the speed dome clockwise tightly.
- 5). Secure the two lock screws with the wrench.

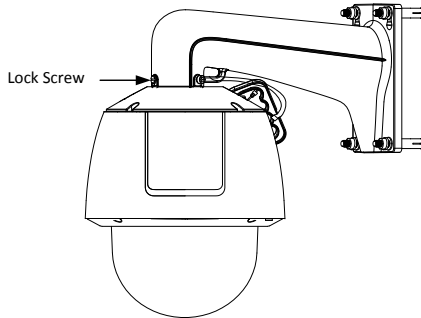


Figure 2-25 Install the Speed Dome to the Bracket

7. Remove the protective film on the bubble after the installation is finished.

## 2.3 Installing Type III Speed Dome

### Wall Mounting

#### Notes:

- For cement wall, you need to use the expansion screw to fix the bracket. The mounting hole of the expansion pipe on the wall should align with the mounting hole on the bracket.
- For wooden wall, you can just use the self-tapping screw to fix the bracket.
- Make sure that the wall is strong enough to withstand more than eight times the weight of the speed dome and the accessories.
- The bracket in Figure 2-7 is the recommended bracket for this series of speed dome, and a pendant adapter is required if any other bracket is selected. The dimension of pendant adapter is  $G1\frac{1}{2}$ .

#### Steps:

1. Remove the protective sticker as shown in Figure 2-26.

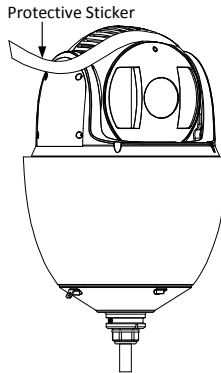


Figure 2-26 Remove Protective Sticker

2. Remove the cover on the back of speed dome as shown in Figure 2-27. Insert the memory card to the memory card slot and install the cover back.

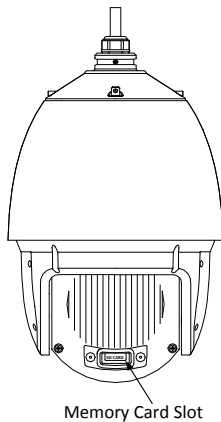


Figure 2-27 Memory Card Slot

3. Refer to **steps 6** in **section 2.1.1 Wall Mounting** to install the bracket.
4. Hook the two ends of the safety rope to the speed dome back box and the bracket respectively. Route the cables through the bracket.

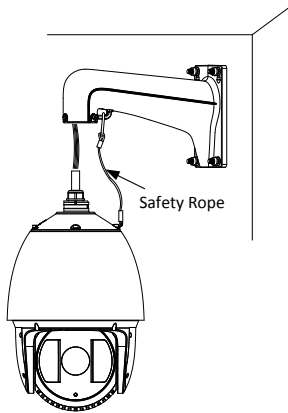


Figure 2-28 Install the Safety Rope

5. Loosen the lock screws on the bracket.
6. Align the speed dome with bracket and rotate it counterclockwise or clockwise to the bracket tightly as shown in Figure 2-29.

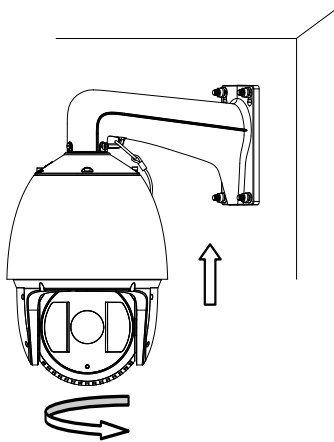


Figure 2-29 Install the Speed dome

7. Use the wrench to tighten the lock screws to secure the speed dome and the bracket.



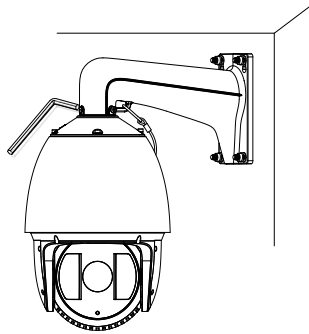


Figure 2-30 Secure the Speed dome

8. Remove the protective film on the bubble after the installation is finished.

## 2.4 Installing Type IV Speed Dome

### Wall Mounting

#### **Notes:**

- For cement wall, you need to use the expansion screw to fix the bracket. The mounting hole of the expansion pipe on the wall should align with the mounting hole on the bracket.
- For wooden wall, you can just use the self-tapping screw to fix the bracket.
- Make sure that the wall is strong enough to withstand more than eight times the weight of the speed dome and the accessories.
- The bracket in Figure 2-7 is the recommended bracket for this series of speed dome, and a pendant adapter is required if any other bracket is selected. The dimension of pendant adapter is  $G1\frac{1}{2}$ .

#### **Steps:**

1. Remove the protective sticker as shown in Figure 2-31.

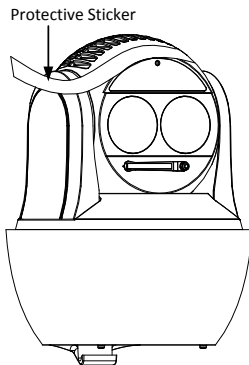


Figure 2-31 Remove Protective Sticker

2. Remove the cover on the back of speed dome as shown in Figure 2-32. Insert the memory card to the memory card slot and install the cover back.

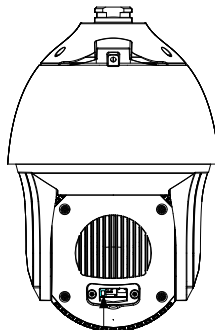


Figure 2-32 Memory Card Slot

3. Secure the bracket with four hex nuts and washers.

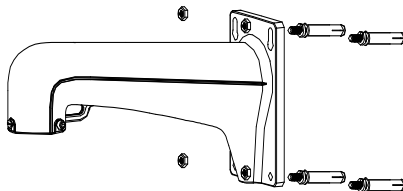


Figure 2-33 Secure the Bracket

4. Apply thread tape to the thread of the head cover and rotate the head cover to the bracket. Secure the head cover to the bracket with set screws (supplied).

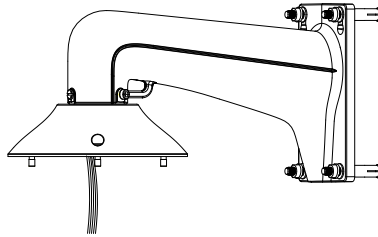


Figure 2-34 Secure the Head Cover

5. Buckle the handle to the safety rope.

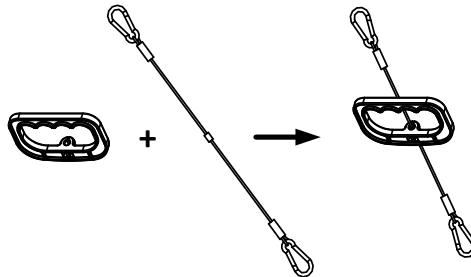


Figure 2-35 Buckle the Handle

6. Hook the two ends of the safety rope to the speed dome back box and the bracket respectively.
7. Hitch the speed dome onto the head cover with the hook on the back box.

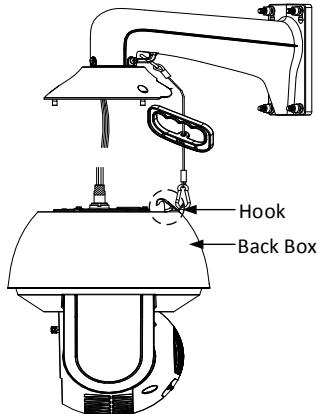


Figure 2-36 Hang the Speed Dome

8. Route the cables through the head cover and bracket.

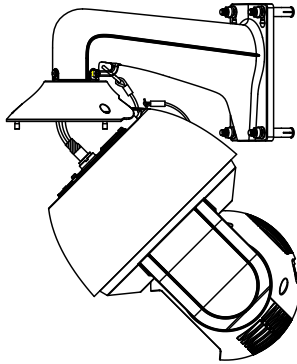


Figure 2-37 Route the Cables

9. Align the speed dome back box with the head cover. Use the wrench to tighten the lock screws to secure the speed dome and the bracket.

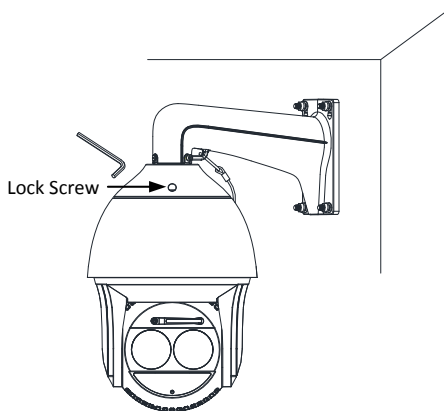


Figure 2-38 Secure the Speed dome

10. Remove the protective film on the bubble after the installation is finished.

## 2.5 Installing Type V Speed Dome

### Wall Mounting

**Notes:**

- For cement wall, you need to use the expansion screw to fix the bracket. The mounting hole of the expansion pipe on the wall should align with the mounting hole on the bracket.

- For wooden wall, you can just use the self-tapping screw to fix the bracket.
- Make sure that the wall is strong enough to withstand more than eight times the weight of the speed dome and the accessories.
- The bracket in Figure 2-7 is the recommended bracket for this series of speed dome, and a pendant adapter is required if any other bracket is selected. The dimension of pendant adapter is  $G1\frac{1}{2}$ .

**Steps:**

1. Remove the protective sticker as shown in Figure 2-39.

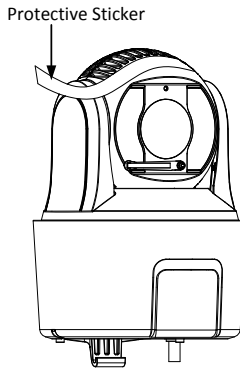


Figure 2-39 Remove Protective Sticker

2. Remove the cover on the back of speed dome as shown in Figure 2-40. Insert the memory card to the memory card slot and install the cover back.

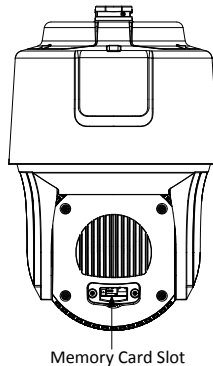


Figure 2-40 Memory Card Slot

3. Secure the bracket with four hex nuts and washers.

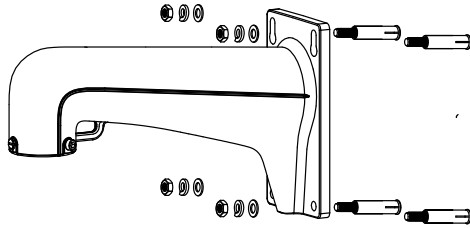


Figure 2-41 Secure the Bracket

4. Apply thread tape to the thread of the head cover and rotate the head cover to the bracket. Secure the head cover to the bracket with set screws (supplied).

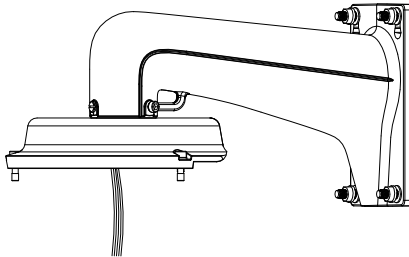


Figure 2-42 Secure the Head Cover

5. Buckle the handle to the safety rope.

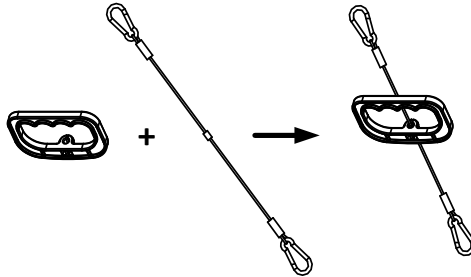


Figure 2-43 Buckle the Handle

6. Hook the two ends of the safety rope to the speed dome back box and the bracket respectively.
7. Hitch the speed dome onto the head cover with the hook on the back box.

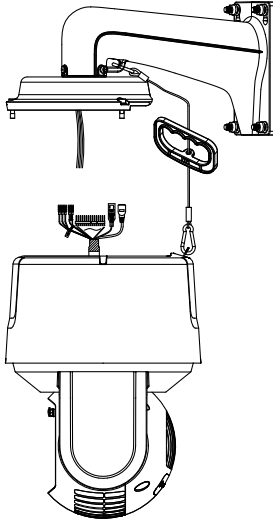


Figure 2-44 Hang the Speed Dome

8. Route the cables through the head cover and bracket.

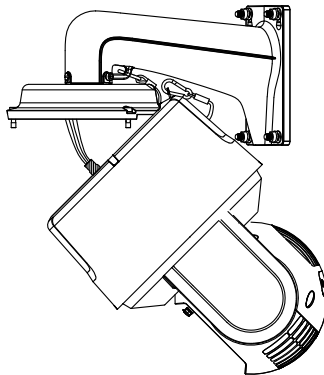


Figure 2-45 Route the Cables

9. Align the speed dome back box with the head cover. Use the wrench to tighten the lock screws to secure the speed dome and the bracket.

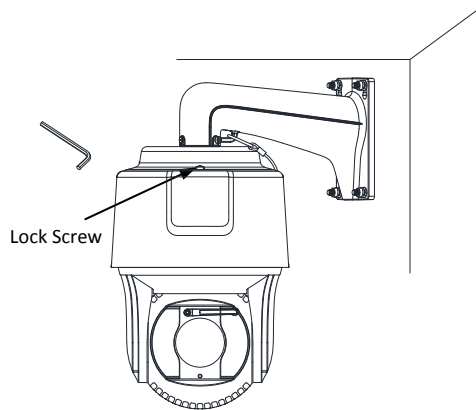


Figure 2-46 Secure the Speed dome

10. Remove the protective film on the bubble after the installation is finished.



## 3 Setting the Speed Dome over the LAN

### Notes:

- You shall acknowledge that the use of the product with Internet access might be under network security risks. For avoidance of any network attacks and information leakage, strengthen your own protection. If the product does not work properly, contact with your dealer or the nearest service center.
- To ensure the network security of the speed dome, we recommend you to have the speed dome assessed and maintained termly. You can contact us if you need such service.

### 3.1 Wiring

To view and configure the speed dome via LAN (Local Area Network), you need to connect the network speed dome in the same subnet with your PC. Then, install the IP PORTAL or client software to search and change the IP address of network speed dome. Connect the speed dome to network according to the following figures.

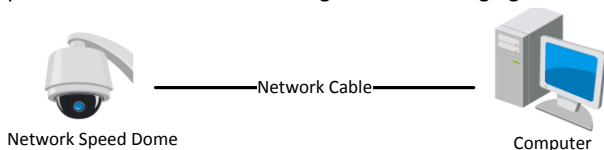


Figure 3-1 Connecting Directly

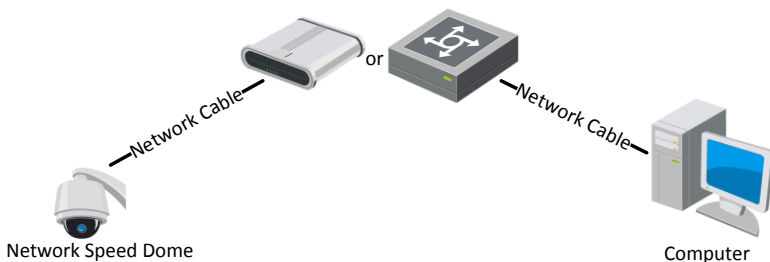


Figure 3-2 Wiring over LAN

### 3.2 Activating the Speed Dome

#### Purpose:

You are required to activate the speed dome first by setting a strong password for it before you can use the speed dome.

Activation via web browser, activation via IP PORTAL, and activation via client software are supported. We will take activation via IP PORTAL software and activation via web browser as examples to introduce the speed dome activation.

### 3.2.1 Activation via Web Browser

#### Steps:

1. Power on the speed dome. Connect the speed dome to your computer or the switch/router which your computer connects to.
2. Input the IP address into the address bar of the web browser, and enter the activation interface.

#### Notes:

- The default IP address of the speed dome is 192.168.1.64.
- The computer and the speed dome should belong to the same subnet.
- For the speed dome enables the DHCP by default, you need to use the IP PORTAL software to search the IP address.

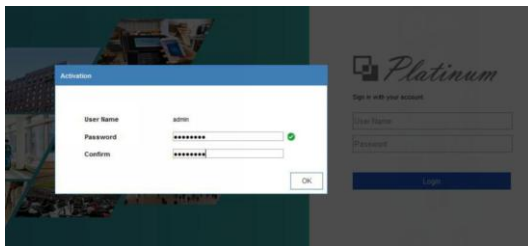


Figure 3-3 Activation Interface (Web)

3. Create a password and input the password into the password field.



**STRONG PASSWORD RECOMMENDED**– We highly recommend you create a strong password of your own choosing (Using a minimum of 8 characters, including at least three of the following categories: upper case letters, lower case letters, numbers, and special characters.) in order to increase the security of your product. And we recommend you reset your password regularly, especially in the high security system, resetting the password monthly or weekly can better protect your product.

4. Confirm the password.
5. Click **OK** to activate the speed dome and enter the live view interface.

### 3.2.2 Activation via IP PORTAL Software

IP PORTAL software is used for detecting the online device, activating the device, and resetting the password.

Get the IP PORTAL software from the supplied disk or the official website, and install the IP PORTAL according to the prompts.

Follow the steps to activate the speed dome.

**Steps:**

1. Run the IP PORTAL software to search the online devices.
2. Check the device status from the device list, and select an inactive device.

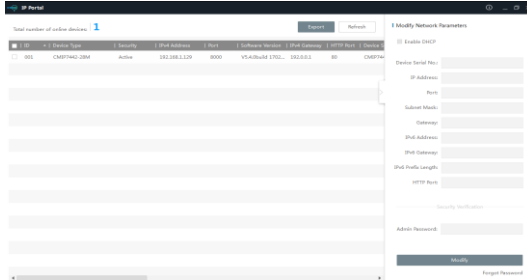


Figure 3-4 IP PORTAL Interface

**Note:**

The IP PORTAL software supports activating the speed dome in batch. Refer to the user manual of IP PORTAL software for details.

3. Create a password and input the password in the password field, and confirm the password.



**STRONG PASSWORD RECOMMENDED**– *We highly recommend you create a strong password of your own choosing (Using a minimum of 8 characters, including at least three of the following categories: upper case letters, lower case letters, numbers, and special characters.) in order to increase the security of your product. And we recommend you reset your password regularly, especially in the high security system, resetting the password monthly or weekly can better protect your product.*

4. Click **Activate** to save the password.

**Note:**

You can check whether the activation is completed on the popup window. If activation failed, make sure that the password meets the requirement and try again.

### 3.3 Modifying the IP Address

**Purpose:**

To view and configure the speed dome via LAN (Local Area Network), you need to connect the network speed dome in the same subnet with your PC.

Use the IP PORTAL software or client software to search and change the IP address of the device. We take modifying the IP Address via IP PORTAL software as an example to introduce the IP address modification.

**Note:**

For IP address modification via client software, refer to the user manual of client software.

**Steps:**

1. Run the IP PORTAL software.
2. Select an active device.
3. Change the device IP address to the same subnet with your computer by either modifying the IP address manually or checking the **Enable DHCP** checkbox.

Modify Network Parameters

Enable DHCP

Device Serial No.: CMIP7442-28M20160426BBWR59

IP Address: 192.0.0.64

Port: 8000

Subnet Mask: 255.255.255.0

Gateway: 192.0.0.1

IPv6 Address: ::

IPv6 Gateway: ::

IPv6 Prefix Length: 0

HTTP Port: 80

----- Security Verification -----

Admin Password: \_\_\_\_\_

Modify

Figure 3-5 Modify the IP Address

4. Input the admin password and click **Modify** to activate your IP address modification. The batch IP address modification is supported by IP PORTAL. Refer to the user manual of IP PORTAL for details.

## 4 Accessing via Web Browser

### System Requirement:

Operating System: Microsoft Windows XP SP1 and above version/Vista/Win7/Server 2003/Server 2008 32bits

CPU: Intel Pentium IV 3.0 GHz or higher

RAM: 1G or higher

Display: 1024 × 768 resolution or higher

Web Browser: Internet Explorer 7.0 and above version, Apple Safari 5.02 and above version, Mozilla Firefox 5 and above version and Google Chrome8 and above version

### Steps:

1. Open the web browser.
2. In the browser address bar, input the IP address of the network speed dome, and enter the login interface.

#### Note:

The default IP address is 192.168.1.64. You are recommended to change the IP address to the same subnet with your computer.

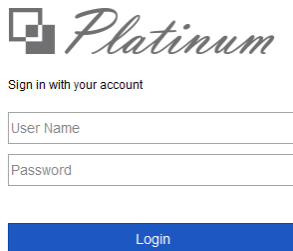
3. Input the user name and password.

The admin user should configure the device accounts and user/operator permissions properly. Delete the unnecessary accounts and user/operator permissions.

#### Note:

The device IP address gets locked if the admin user performs 7 failed password attempts (5 attempts for the user/operator).

4. Click **Login**.



Platinum

Sign in with your account

User Name

Password

Login

Figure 4-1 Login Interface

5. Install the plug-in before viewing the live video and managing the network speed dome. Follow the installation prompts to install the plug-in.

#### Note:

You may have to close the web browser to finish the installation of the plug-in.

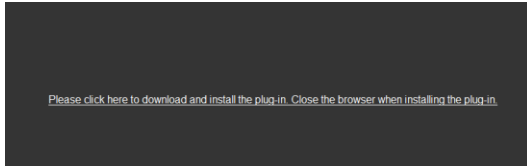


Figure 4-2 Download Plug-in

6. Reopen the web browser after the installation of the plug-in and repeat the above step 2 to step 4 to login.

**Note:**

For detailed instructions of further configuration, refer to the user manual of network speed dome.