

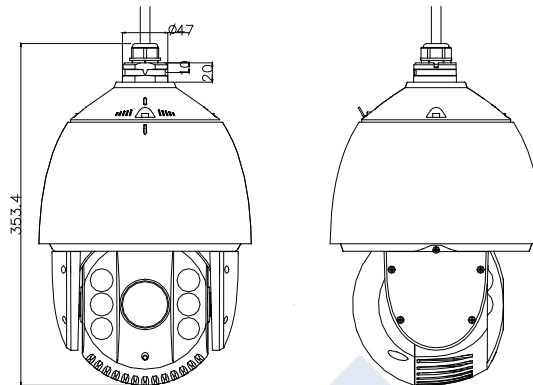
Platinum IP PTZ High Speed Dome Camera 2.1MP PTZIP772X30NIR



Key Features:

- 2.1MP High Definition
- 1/2.8" CMOS
- 1920X1080P@30fps
- 4.3-129mm Lens
- 30x Optical Zoom
- 6 IR LEDs up to 394ft (120m)
- True Day/Night, 3D DNR, DWDR, Privacy Masking
- AC 24V, High POE
- 6"(Φ)
- Wall Mount Bracket Included

Dimensions:



Platinum IP PTZ High Speed Dome Camera 2.1MP PTZIP772X30NIR

CAMERA	
Image Sensor	1/2.8" Progressive Scan CMOS
Min. Illumination	Color : 0.02 lux (F1.6, AGC On);B/W : 0.002 lux (F1.6, AGC On);0 lux with IR
White Balance	Auto / Manual /ATW/Indoor/Outdoor/Daylight lamp/Sodium lamp
AGC	Auto / Manual
S / N Ratio	≥ 52dB
3D DNR	Support
BLC	Support
HLC	Support
DWDR	Support
Defog	Support
Shutter Time	1-1/10,000s
Day & Night	IR Cut Filter
Digital Zoom	16X
Privacy Mask	2 privacy masks programmable
Focus Mode	Auto / Semiautomatic / Manual
Lens	
Focal Length	4.3-129mm, 30x
Zoom Speed	Approx.3s(Optical Wide-Tele)
Angle of View	65.1-2.34 degree (Wide-Tele)
Min. Working Distance	10-1500mm(Wide-Tele)
Aperture Range	F1.6-F5.0
Pan and Tilt	
Pan Range	360° endless
Pan Speed	Pan Manual Speed: 0.1°-160°/s,Pan Preset Speed: 240°/s
Tilt Range	-15°-90° (Auto Flip)
Tilt Speed	Tilt Manual Speed: 0.1°-120°/s,Tilt Preset Speed: 200°/s
Proportional Zoom	Rotation speed can be adjusted automatically according to zoom multiples
Number of Preset	300
Park action	Pattern/Pan scan/Tilt scan/Frame scan/Panorama scan/Random scan
Patrol	8 patrols, up to 32 presets per patrol
Power-off Memory	Support
PTZ Position Display	On / Off
Preset Freezing	Support
Scheduled Task	Auto scan / Frame scan / Random scan / Patrol / Pattern / Preset / Panorama scan / Tilt scan / Dome reboot / Dome adjust / Aux output
Infrared	
IR Distance	394ft(120m)
IR Intensity	Automatically adjusted, depending on the zoom ratio

Platinum IP PTZ High Speed Dome Camera 2.1MP

PTZIP772X30NIR

Input/ Output	
Alarm Input	2 (0-5v DC)
Alarm Output	1 relay output, alarm response actions configurable
Alarm Trigger	Intrusion detection, Line crossing detection, Motion detection, Audio Exception Detection, Dynamic analysis, Tampering alarm, Network disconnect, IP address conflict, Storage exception
Alarm Actions	Preset, Patrol, Pattern, Recording, Relay output, Upload center, upload FTP, email linkage
Audio Input	1 audio input (Mic/Line in), 2-2.4V[p-p]; output impedance: 1KΩ, ±10%
Audio Output	1 output, Line level, impedance: 600Ω
Network	
Ethernet	10Base-T / 100Base-TX, RJ 45 connector
Max. Image Resolution	1920×1080
Frame Rate	60Hz: 30 fps (1920×1080), 30 fps (1280×960), 30 fps (1280×720) 50Hz: 25 fps (1920×1080), 25 fps (1280×960), 25 fps (1280×720)
Image Compression	H.265+/H.265/H.264 Zip+/H.264/MJPEG
ROI encoding	Support 2 areas with adjustable levels
Audio Compression	G.711/G.722/G.726/MP2L2
Protocols	IPv4/IPv6, HTTP, HTTPS, 802.1X, QoS, FTP, SMTP, UPnP, SNMP, DNS, DDNS, NTP, RTSP, RTP, TCP, UDP, IGMP, ICMP, DHCP, PPoE
Number of Simultaneous Live View	Up to 20
Dual Streams	Support
Mini SD Memory Card	Micro SD Slot, up to 128GB, edge recording
User/Host Level	Up to 32 users, 3 Levels: Administrator, Operator and User
Security Measures	User authentication (ID and PW), Host authentication (MAC address), IP address filtering
General	
Interface for application programming	Open-ended API, support ONVIF Profile S, Profile G, PSIA and CGI
Power	Hi-PoE & 24 VAC
Working Temperature / Humidity	-22 °F ~ 149 °F / -30 °C ~ 65 °C, 90% or less
Security Measures	User authentication (ID and PW), Host authentication (MAC address), IP address filtering
Weatherproof Rating	IP66 standard
Surge Protection Level	TVS 4,000V lightning protection, surge protection and voltage transient protection
Dimensions	Φ8.7" × 13.9" (Φ220×353.4mm)
Weight (approx.)	9.9lbs (4.5kg)