

IP-8BL-F28/40-PBL



8MP WDR IR Mini Bullet Network Camera



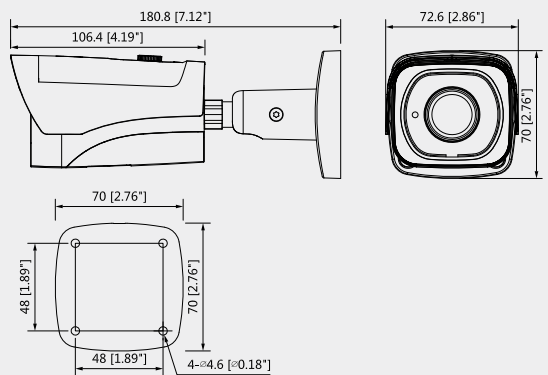
System Overview

With upgraded H.265 encoding technology, This series brings high efficient video compression capability. It can save bandwidth and storage. Meanwhile, the series features starlight, smart IR technology and intelligent image analysis techniques. This series supports reminder function, meanwhile fully protected from dust and water, certified to IP67 and vandal resistant to IK10 standard.

Features

- ▶ 1/2.5" 8Megapixel progressive scan STARVIS™ CMOS
- ▶ H.265&H.264 triple-stream encoding
- ▶ 15fps@4K(3840×2160),25/30fps@3M(2304×1296)
- ▶ Smart Detection supported
- ▶ WDR(120dB), Day/Night(ICR), 3DNR, AWB, AGC, BLC
- ▶ Multiple network monitoring: Web viewer, Unisight VMS
- ▶ 2.8mm/4.0mm fixed lens
- ▶ Max. IR LEDs Length 40m
- ▶ Micro SD Memory,IP67, PoE

Dimensions(mm/inch)



Functions

ePoE technology

The ePoE technology, designed internally, adopts advanced 2D-PAM3 coding modulation from physical layer, and realizes full duplex transmission over 800 meters at the speed of 10Mbps, or 300 meters at the speed of 100Mbps via Cat 5 or coaxial cable media. Besides, it supports PoE and PoC power supply technology which has greatly simplified construction and wiring. The ePoE technology offer a new way to accomplish long distance transmission between IP camera and network switch. It allows more flexible surveillance system design, improves reliability and saves construction and wiring cost.

Wide Dynamic Range

The camera achieves vivid images, even in the most intense contrast lighting conditions, using industry-leading wide dynamic range(WDR) technology. For applications with both bright and low lighting conditions that change quickly, true WDR (120 dB) optimizes both the bright and dark areas of a scene at the same time to provide usable video.

Intelligent Video System (IVS)

IVS is a built-in video analytic algorithm that delivers intelligent functions to monitor a scene for Tripwire violations, intrusion detection, and abandoned or missing objects. A camera with IVS quickly and accurately responds to monitoring events in a specific area. In addition to scene analytics, the camera supports face detection to quickly capture a face and upload the image to a server. The camera also offers tamper detection by recognizing a dramatic scene change and generating a warning message to inspect the camera.

Environmental

The cameras operate in extreme temperature environments, rated for use in temperatures from -30° C to +60° C (-22° F to +140° F) with 95% humidity, allowing the camera to operate in the harshest environments.

Protection (IP67, wide voltage)

The camera allows for ±30% input voltage tolerance, suitable for the most unstable conditions for outdoor applications. Its 4KV lightning rating provides effective protection for both the camera and its structure against lightning. Subjected and certified to rigorous dust and immersion tests (IP67), the camera is the choice for installation in even the most unforgiving environments.

Smart H.265+

Smart H.265+ is the optimized implementation of the H.265 codec that uses a scene-adaptive encoding strategy, dynamic GOP, dynamic ROI, flexible multi-frame reference structure and intelligent noise reduction to deliver high-quality video without straining the network. Smart H.265+ technology reduces bit rate and storage requirements by up to 70% when compared to standard H.265 video compression.



IP-8BL-F28/40-PBL



Technical Specification					
Camera					
Image Sensor	1/2.5" 8Megapixel progressive scan CMOS				
Effective Pixels	3840(H)x2160(V)				
RAM/ROM	512MB/32MB				
Scanning System	Progressive				
Electronic Shutter Speed	Auto/Manual, 1/3(4)~1/100000s				
Minimum Illumination	0.009Lux/F2.0(Color,1/3s,30IRE) 0.07Lux/2.0(Color,1/30s,30IRE) 0Lux/F2.0(IR on)				
S/N Ratio	More than 50dB				
IR Distance	Distance up to 40m (131ft)				
IR On/Off Control	Auto/ Manual				
IR LEDs	2				
Lens					
Lens Type	Fixed				
Mount Type	Board-in				
Focal Length	2.8mm /4.0mm				
Max. Aperture	F2.5 (F2.2)				
Angle of View	H:112° (88°), V:69° (48°)				
Optical Zoom	N/A				
Focus Control	Fixed				
Close Focus Distance	0.9m(1.7m)				
	Lens	Detect	Observe	Recognize	Identify
DORI Distance	2.8 mm	69m(226ft)	28m(92ft)	14m(46ft)	7m(23ft)
	4.0 mm	89m(292ft)	36m(118ft)	18m(59ft)	9m(30ft)
Pan/Tilt/Rotation					
Pan/Tilt/Rotation Range	Pan:0°~360°; Tilt:0°~90°; Rotation:0°~360°				
Intelligence					
IVS	Tripwire, Intrusion, Object Abandoned/Missing				
Advanced Intelligent Functions	Face Detection				
Video					
Compression	H.265+/H.265/H.264+/H.264				
Streaming Capability	3 Streams				
Resolution	4K(3840×2160)/6M(3072×2048)/5M(2560×1920)/ 3M(2048×1536)/3M(2304×1296)/ 1080P(1920×1080)/1.3M(1280×960)/ 720P(1280×720)/D1(704×576/704×480) / VGA(640×480)/CIF(352×288/352×240)				
Frame Rate	Main Stream: 4K(1~15fps)/3M(1~25/30fps) Sub Stream: D1(1~25/30fps) Third Stream: 1080P(1~25/30fps)				
Bit Rate Control	CBR/VBR				
Bit Rate	H.264: 24K ~ 10240Kbps H.265: 14K ~ 9984Kbps				
Day/Night	Auto(ICR) / Color / B/W				
BLC Mode	BLC / HLC / WDR(120dB)				

White Balance	Auto/Natural/Street Lamp/Outdoor/Manual
Gain Control	Auto/Manual
Noise Reduction	3D DNR
Motion Detetion	Off / On (4 Zone, Rectangle)
Region of Interest	Off / On (4 Zone)
Electronic Image Stabilization (EIS)	N/A
Smart IR	Support
Defog	N/A
Digital Zoom	16x
Flip	0°/90°/180°/270°
Mirror	Off / On
Privacy Masking	Off / On (4 Area, Rectangle)
Audio	
Compression	N/A
Network	
Ethernet	RJ-45 (10/100Base-T)
Protocol	HTTP; HTTPS; TCP; ARP; RTSP; RTP; UDP; SMTP; FTP; DHCP; DNS; DDNS; PPPOE; IPv4/v6; QoS; UPnP;NTP; Bonjour; 802.1x; Multicast; ICMP; IGMP; SNMP
Interoperability	ONVIF, PSIA, CGI
Streaming Method	Unicast / Multicast
Max. User Access	10 Users /20 Users
Edge Storage	NAS Local PC for instant recording Mirco SD card 128GB
Web Viewer	IE, Chrome, Firefox, Safari
Management Software	Unisight VMS
Smart Phone	IOS, Android
Certifications	
Certifications	CE (EN 60950:2000) UL:UL60950-1 FCC: FCC Part 15 Subpart B
Interface	
Video Interface	N/A
Audio Interface	N/A
RS485	N/A
Alarm	N/A
Electrical	
Power Supply	DC12V, PoE (802.3af)(Class 0)
Power Consumption	<7.4W

IP-8BL-F28/40-PBL



Environmental

Operating Conditions	-40° C ~ +60° C (-40° F ~ +140° F) / Less than 95% RH
Storage Conditions	-40° C ~ +60° C (-40° F ~ +140° F) / Less than 95% RH
Ingress Protection	IP67
Vandal Resistance	N/A

Construction

Casing	Metal
Dimensions	180mm×70mm×70mm (7.09"×2.76"×2.76")
Net Weight	0.41kg (0.91lb)
Gross Weight	0.53 kg (1.17lb)

Accessories (optional)



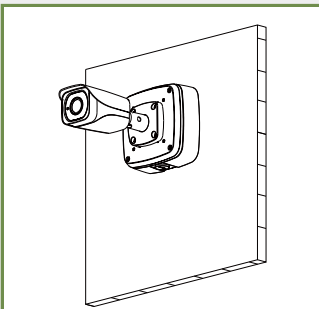
PFA121
Junction Box



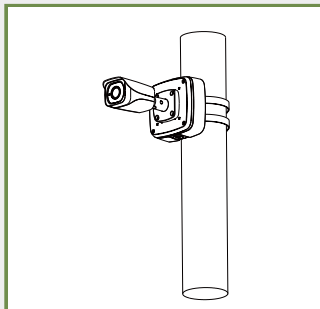
PFA152-E
Pole Mount



LR1002
ePoE Over Coax Converter



PFA121
Junction Mount



PFA121+PFA152-E
Pole Mount