

## PVR-P8-2VD



## 8 Channel Penta-brid 4K 1U Digital Video Recorder



### Features

- ▶ H.265+/H.265 dual-stream video compression
- ▶ Supports HDCVI/AHD/TVI/CVBS/IP video inputs
- ▶ Max 12 channels IP camera inputs, each channel up to 8MP; Max 48Mbps Incoming Bandwidth
- ▶ Smart Search and Intelligent Video System

#### Coaxial Audio/Upgrade/Alarm

The integrated design can reduce wiring troubles which makes it much more cost-effective and convenient for installation.

#### Long Distance Transmission

The HDCVI system supports long distance transmission over coaxial cable and UTP, max. 700m for 4K/4MP, 800m for 1080P and 1200m for 720P.

#### Smart Fan Design

The smart fan can automatically turn on or turn off according to the CPU temperature. This function can effectively reduce the fan noise to provide a better user experience while extending the life of the fan at the same time.

#### Intelligent Video System (IVS)

With built-in intelligent video analytics, the DVR has the ability to detect and analyze moving objects for improved video surveillance. The DVR provides optional standard intelligence at the edge allowing detection of multiple object behaviors such as abandoned or missing objects. IVS also supports Tripwire analytics, allowing the camera to detect when a predetermined line has been crossed.

#### Face Detection

It is a type technology being used in a variety of applications that search or identify individuals which show front cameras.

#### Smart Search

This function helps you get more motion detect video during a short time through drawing a region when playback. It is very useful when an emergency occurs.

### System Overview

With the surveillance operators pursuing to HD/UHD which further adds the storage and transmission cost, HDCVI H.265+/H.265 has been released to incredibly decrease the required bitrate while ensuring the video quality in realizing high resolution surveillance such as 4MP/4K.

This Series is designed for high cost performance and quality. The range offers a great solution for users facing budget constraints who both require quality and performance. And with the adoption of Smart H.265+/H.265, the series improves encoding efficiency, saving on bandwidth/storage costs, and significantly reducing the Total Cost of Ownership (TCO).

### Functions

#### Smart H.265+

Smart Codec, H.265+ can reduce up to 90% bit rate and storage requirements compared with H.264 without having to invest in new cameras.

#### HDCVI/AHD/TVI/CVBS/IP Auto-detect

The DVR can auto recognize the signal of front-camera without any setting. It makes operation more friendly and convenient.

#### 8MP Resolution

This series supports up to 8MP HD resolution (3840 x 2160) HDCVI camera and IP camera input.



**PVR-P8-2VD**



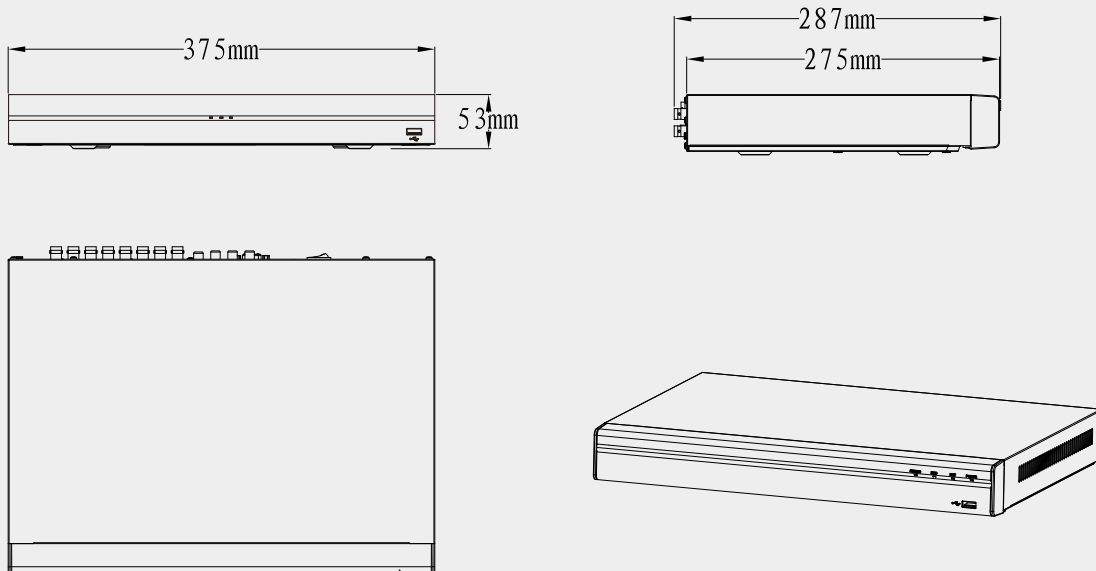
Technical Specification	
<b>System</b>	
Main Processor	Embedded Processor
Operating System	Embedded LINUX
<b>Video and Audio</b>	
Analog Camera Input	8Channel, BNC
HDCVI Camera	4K, 6MP, 4MP, 1080P@25/30fps, 720P@50/60fps, 720P@25/30fps
AHD Camera	5MP, 4MP, 3MP, 1080P@25/30, 720P@25/30fps
TVI Camera	5MP, 4MP, 3MP, 1080P@25/30, 720P@25/30fps
CVBS Camera	PAL/NTSC
IP Camera Input	8+4 Channel, each channel up to 8MP
Audio In/Out	1/1, RCA
Two-way Talk	Reuse audio in/out, RCA
<b>Recording</b>	
Compression	H.265+/H.265/H.264+/H.264
Resolution	4K, 6MP, 5MP, 4MP, 3MP, 4M-N, 1080P, 720P, 960H, D1, CIF, QCIF
Record Rate	Main stream: 4K(1~7fps); 6MP(1~10fps); 5MP(1~12fps); 4MP/3MP(1~15fps); 4M-N/1080P/720P/960H/D1/CIF/QCIF (1~25/30fps) Sub stream: 960H(1~15fps); D1/CIF/QCIF(1~25/30fps)
Bit Rate	1Kbps ~ 8192Kbps Per Channel
Record Mode	Manual, Schedule (General, Continuous), MD (Video detection: Motion Detection, Video Loss, Tampering), Alarm, Stop
Record Interval	1 ~ 60 min (default: 60 min), Pre-record: 1 ~ 30 sec, Post-record: 10 ~ 300 sec
<b>Display</b>	
Interface	1 HDMI, 1 VGA
Resolution	HDMI: 3840x2160, 2560x1440, 1920x1080, 1280x1024, 1280x720, 1024x768 VGA: 1920x1080, 1280x1024, 1280x720, 1024x768
Multi-screen Display	When IP extension mode not enabled: 1/4/8/9 When IP extension mode enabled: 1/4/8/9/16
OSD	Camera title, Time, Video loss, Camera lock, Motion detection, Recording
<b>Network</b>	
Interface	1 RJ-45 Port (1000M)
Network Function	HTTP, HTTPS, TCP/IP, IPv4/IPv6, UPnP, RTSP, UDP, SMTP, NTP, DHCP, DNS, IP Filter, PPPoE, DDNS, FTP, Alarm Server, P2P, IP Search
Max. User Access	128 users
Smart Phone	iPhone, iPad, Android
Interoperability	ONVIF 16.12, CGI Conformant

<b>Video Detection and Alarm</b>	
Trigger Events	Recording, PTZ, Tour, Video Push, Email, FTP, Snapshot, Buzzer and Screen Tips
Video Detection	Motion Detection, MD Zones: 396 (22 x 18), Video Loss, Tampering and Diagnosis
Alarm input	N/A
Relay Output	N/A
<b>Playback and Backup</b>	
Playback	1/4/9
Search Mode	Time /Date, Alarm, MD and Exact Search (accurate to second)
Playback Function	Play, Pause, Stop, Rewind, Fast play, Slow Play, Next File, Previous File, Next Camera, Previous Camera, Full Screen, Repeat, Shuffle, Backup Selection, Digital Zoom
Backup Mode	USB Device/Network
<b>Storage</b>	
Internal HDD	2 SATA Ports, up to 10TB capacity for each disk
eSATA	N/A
<b>Auxiliary Interface</b>	
USB	2 USB Ports (1 USB 2.0, 1 USB 3.0)
RS232	N/A
RS485	1 Port, for PTZ Control
<b>Electrical</b>	
Power Supply	DC12V/4A
Power Consumption	<15W (Without HDD)
<b>Construction</b>	
Dimensions	1U, 375mmx287mmx53mm (14.8" x 11.3" x 2.1")
Net Weight	2.35kg (5.2 lb) (without HDD)
Gross Weight	3.2kg (7.05lb)
Installation	Desktop installation
<b>Environmental</b>	
Operating Conditions	-10°C ~ +55°C (+14°F ~ +131°F), 0~ 90% RH
Storage Conditions	-20°C ~ +70°C (-4°F ~ +158°F), 0~ 90% RH
<b>Third-party Support</b>	
Third-party Support	Arecont Vision, AXIS, Bosch, Brickcom, Canon, CPPlus, Dynacolor, Honeywell, Panasonic, Pelco, Samsung, Sanyo, Sony, Videotec, Vivotek, and more
<b>Certifications</b>	
Certifications	FCC: Part 15 Subpart B
	CE: CE-LVD: EN 60950-1/IEC 60950-1 CE-EMC: EN 61000-3-2, EN 61000-3-3, EN 55032, EN 50130, EN 55024
	UL: UL 60950-1

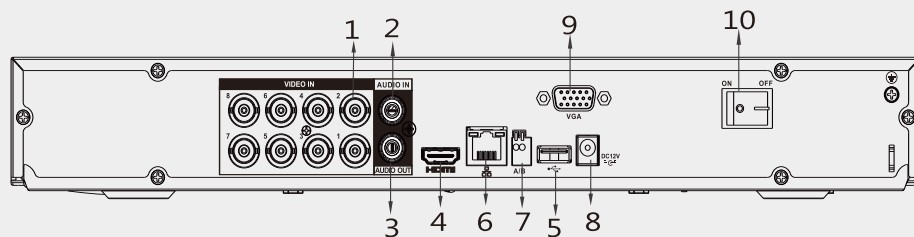
## PVR-P8-2VD



### Dimensions(mm)



### Rear Panel



- |                            |                     |
|----------------------------|---------------------|
| 1 VIDEO IN                 | 6 RS485 Interface   |
| 2 AUDIO IN, RCA Connector  | 7 USB Interface     |
| 3 AUDIO OUT, RCA Connector | 8 DC12V Power Input |
| 4 HDMI Interface           | 9 VGA Interface     |
| 5 Network Interface        | 10 Power Switch     |