

## CMHT2122BF/ CMHT2122-28BF HD 1080p 4-in-1 Turret Camera



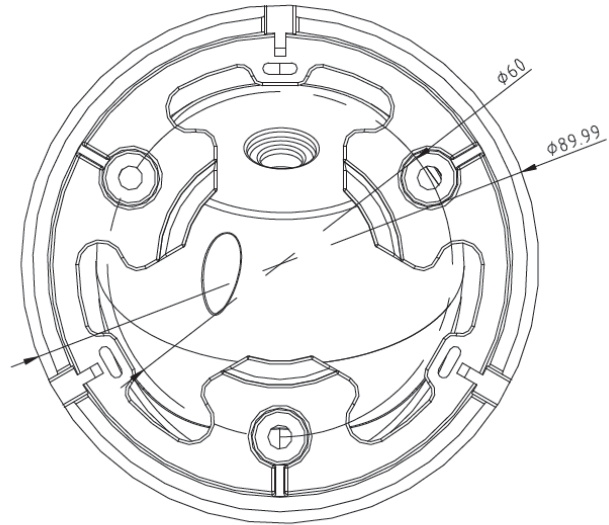
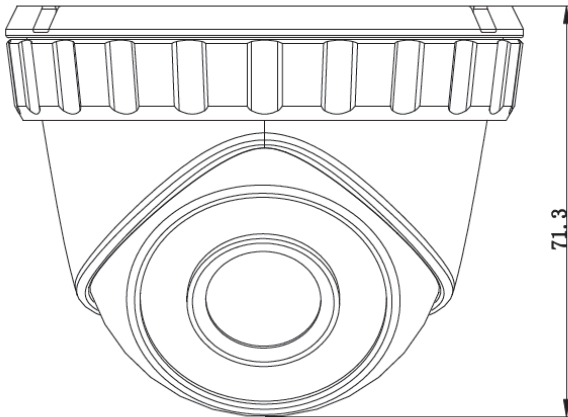
### Key Features

- 2 MP high performance CMOS
- Day/Night switch
- Smart IR
- Up to 65ft(20 m) IR distance
- 4 in 1 video output (switchable TVI/AHD/CVI/CVBS)
- IP66

## Specification

<b>Camera</b>	
Image Sensor	2MP CMOS Image Sensor
Signal System	PAL/NTSC
Frame Rate	PAL: 1080p@25fps NTSC: 1080p@30fps
Resolution	1920 (H) × 1080 (V)
Min. illumination	0.01 Lux@(F1.2, AGC ON), 0 Lux with IR
Shutter Time	1/25 (1/30) s to 1/50,000 s
Lens	3.6 mm 2.8 mm fixed lens
Horizontal Field of View	103° (2.8 mm), 82.2° (3.6 mm)
Lens Mount	M12
Day & Night	IR cut filter
Angle Adjustment	Pan: 0° to 360°, Tilt: 0° to 75°, Rotation: 0° to 360°
Synchronization	Internal synchronization
<b>Menu</b>	
AGC	Low/middle/high
Day/Night Mode	Smart/color/BW(Black and White)
Backlight Compensation	Yes
DWDR	Yes
Language	English
Functions	Brightness, Sharpness, DNR, Mirror
<b>Interface</b>	
Video Output	1 HD analog output
Switch Button	TVI/AHD/CVI/CVBS
<b>General</b>	
Operating Conditions	-40 °C to 60 °C (-40 °F to 140 °F), Humidity: 90% or less (non-condensation)
Power Supply	12 VDC ± 15%
Power Consumption	Max. 4 W
Ingress Protection	IP66
Material	Metal
IR Range	Up to 65ft(20 m)
Dimensions	φ 3.5" × 2.8"(φ 90.6 × 71.3mm)
Weight	0.9lb(400g)

## Dimensions



Unit: mm

## Accessories



LTB342-110T  
Wall Mounting Bracket



LTB378  
Vertical Pole Mounting  
Bracket



LTB379  
Corner Mounting Bracket



LTB345B  
Junction Box