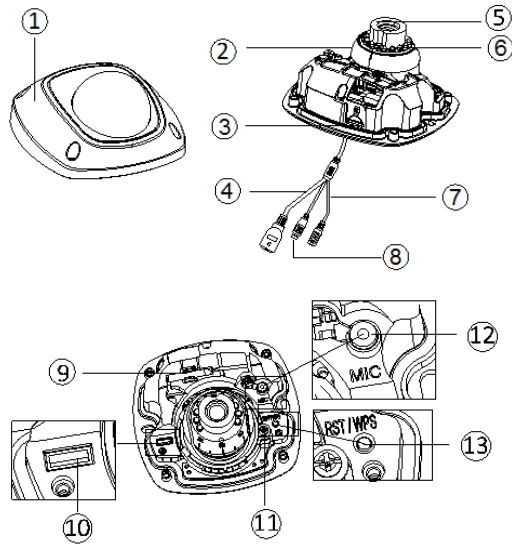


Mini Dome Type Network Camera

Quick Installation Guide



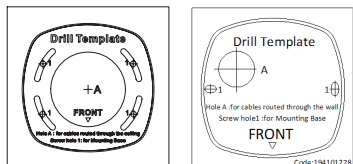
No.	Description	No.	Description
1	Front Cover	8	Audio/Alarm Cables
2	Dome Drive	9	Wi-Fi Antenna
3	Micro SD Card Slot	10	Serial Port Interface
4	Network Cable	11	Hex Screw
5	Lens	12	MIC
6	IR LED	13	RESET/WPS Button
7	Power Cable		

Note:

Please make sure that the wall is strong enough to withstand three times the weight of the camera.

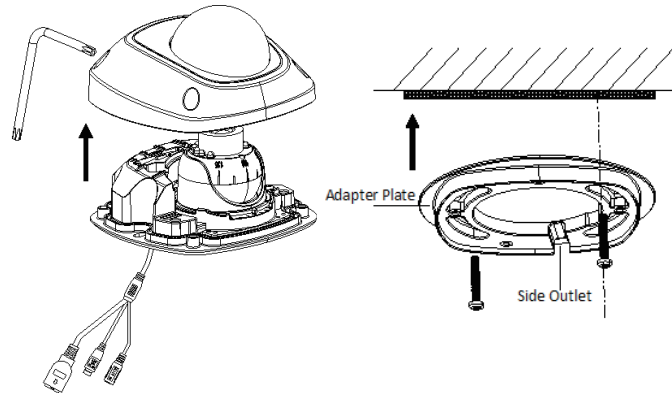
Installation Steps:

1. Drill the screw holes and the cable hole in the ceiling according to the supplied drill template(2 different types).

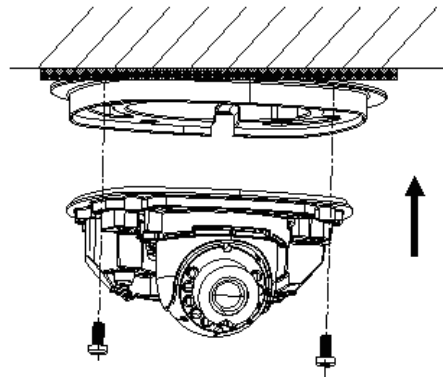


2. Loosen the set screw on the front cover to disassemble the camera with the supplied Allen key.

3. Fix the adapter plate to the ceiling with the supplied expansion screws.



4. Fix the dome drive with the supplied screws.

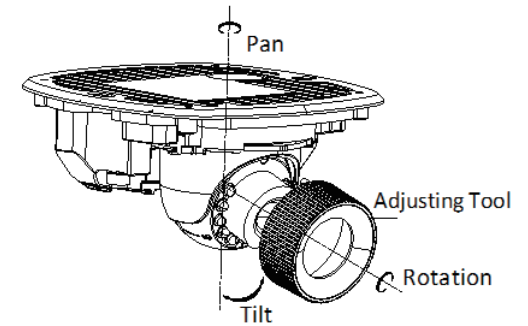


5. Connect the power cable, network cable, and the audio/alarm cables.

6. View the image via the web browser.

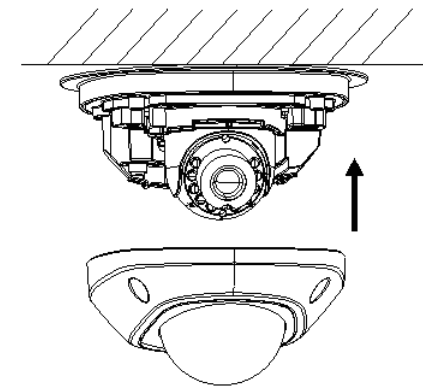
7. Slightly loosen the hex screw beside the WPS/RESET button to adjust the surveillance angle.

8. Use the supplied adjusting tool to adjust the pan [$\pm 30^\circ$], tilt [$0\sim 80^\circ$], and rotation direction [$0\sim 360^\circ$].



9. Tighten the hex screw to fix the well-adjusted surveillance angle.

10. Align the front cover to the dome drive and tighten the set screws on the front cover.



11. Tear off the protection film softly to complete the installation.

For detailed instructions of further configuration, please refer to the user manual of network camera.