

CMIP7C43WI-SDLQ

Platinum 4 MP Color 24/7 Motorized Vari-focal InstaDome
Network Camera



- Motorized Pan, Tilt, Rotate, Zoom for easy installation and monitoring
- Vivid imaging every hour via Color 24/7 technology
- IR, supplemental white light, & Smart Hybrid Light modes
- Clear imaging against strong back light due to 120 dB WDR technology
- Human and vehicle classification based on AI
- Clear two-way audio with dual-mic array
- Active strobe light and audio alarm to warn trespassers
- Water and dust resistant (IP66) and vandal resistant (IK10)
- Audio and alarm interface available

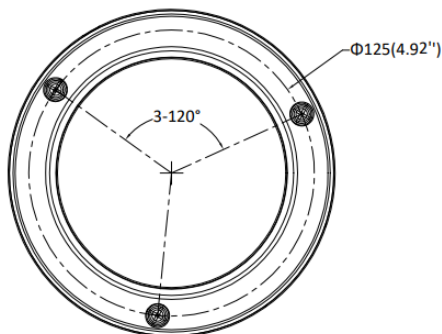
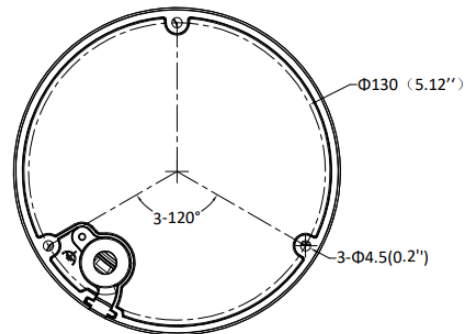
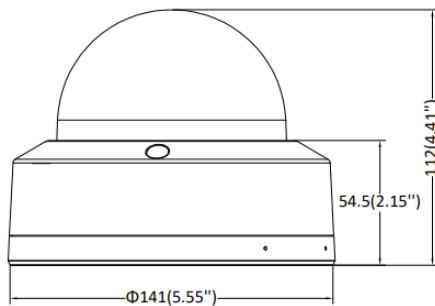
Specifications

| Camera | |
|--------------------------------------|--|
| Image Sensor | 1/1.8" Progressive Scan CMOS |
| Max. Resolution | 2688 × 1520 |
| Min. Illumination | Color: 0.0028 Lux @ f 1.2, AGC on; 0 Lux with supplemental visible light |
| Shutter Speed | 1/3 to 1/100,000 sec. |
| Day & Night | IR cut filter |
| Angle Adjustment | Remote adjustment (Max. 1,000 cycles) Pan: 0° to 350°, tilt: 0° to 85°, rotate: 0° to 350° |
| Lens | |
| Lens Type | Motorized varifocal lens, 2.8 to 12 mm |
| Focal Length & FOV | 2.8 to 12 mm, horizontal FOV 114.6° to 41.8°, vertical FOV 59.3° to 23.6°, diagonal FOV 141.3° to 48.1° |
| Lens Mount | Integrated |
| Iris Type | Fixed |
| Aperture | Up to 1.2 |
| Depth of Field | 1 m to ∞ |
| Detect, Observe, Recognize, Identify | |
| Ranges (Approximate) | Wide: D: 200 ft (61.5 m), O: 80 ft (24.4 m), R: 40 ft (12.3 m), I: 20 ft (6.2 m) Tele: D: 495 ft (151.7 m), O: 195 ft (60.2 m), R: 100 ft (30.3 m), I: 50 ft (15.1 m) |
| Supplemental Lighting | |
| Type | IR, Visible (White) |
| Range | Up to 130 ft |
| Technology | Smart Hybrid |
| IR Wavelength | 850 nm |
| Video | |
| Main Stream | 30 fps (2688 × 1520, 1920 × 1080, 1280 × 720) |
| Sub-Stream | 30 fps (1280 × 720, 640 × 480, 640 × 360) |
| Third Stream | 10 fps (1920 × 1080, 1280 × 720, 640 × 480, 640 × 360) *Third stream is supported under certain settings. |
| Video Compression | Main stream: H.265 / H.264 / H.264+ / H.265+ Sub-stream: H.265 / H.264 / MJPEG Third stream: H.265 / H.264 *Third stream is supported under certain settings. |
| Video Bit Rate | 32 Kbps to 8 Mbps |
| H.264 Type | Baseline Profile, Main Profile, High Profile |
| H.265 Type | Main Profile |
| Bit Rate Control | CBR, VBR |
| Scalable Video Coding (SVC) | H.264 and H.265 encoding |
| Region of Interest (ROI) | 1 fixed region for main stream and sub-stream |
| Audio | |
| Audio Compression | G.711 / G.722.1 / G.726 / MP2L2 / PCM / MP3 / AAC-LC |
| Audio Bit Rate | 64 Kbps (G.711ulaw / G.711alaw) / 16 Kbps (G.722.1) / 16 Kbps (G.726) / 32 to 192 Kbps (MP2L2) / 8 to 320 Kbps (MP3) / 16 to 64 Kbps (AAC-LC) |
| Audio Sampling Rates (kHz) | 8 / 16 / 32 / 44.1 / 48 |
| Environmental Noise Filtering | Yes |

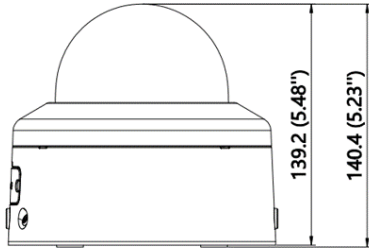
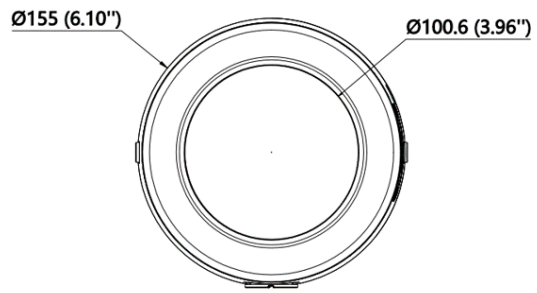
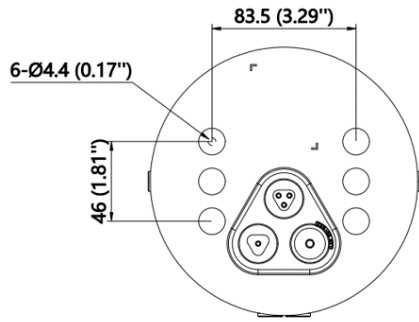
| Network | |
|----------------------------|---|
| Protocols | TCP/IP, ICMP, HTTP, HTTPS, FTP, DHCP, DNS, DDNS, RTP, RTSP, RTCP, NTP, UPnP, SMTP, IGMP, 802.1X, QoS, IPv4, IPv6, UDP, Bonjour, SSL/TLS, PPPoE, SNMP, WebSocket, WebSockets, SRTP, SFTP |
| Simultaneous Live View | Up to 6 channels |
| API | ONVIF (Profile S, Profile G, Profile T) |
| User / Host | Up to 32 users 3 User Levels: Administrator, operator, and user |
| Security | Password protection, complicated password, HTTPS encryption, 802.1X authentication (EAP-TLS, EAP-LEAP, EAP-MD5), watermark, IP address filter, basic and digest authentication for HTTP/HTTPS, WSSE and digest authentication for Open Network Video Interface, RTP/RTSP over HTTPS, control timeout settings, security audit log, TLS 1.1/1.2/1.3, host authentication (MAC address) |
| Network Storage | NAS (NFS, SMB / CIFS), Auto Network Replenishment (ANR) |
| Client | LTS Connect |
| Web Browsers | Plug-in required live view: IE 11, Plug-in free live view: Chrome 80+, Firefox 80+, Edge 89+, Safari 13+, Local service: Chrome 80+, Firefox 80+, Edge 89+, Safari 13+ |
| Imaging | |
| Image Parameters Switching | Yes |
| Image Settings | Rotate mode, saturation, brightness, contrast, sharpness, gain, white balance, adjustable by client software or web browser |
| Day / Night Switching | Day, Night, Auto, Schedule |
| Image Enhancement | BLC, HLC, 3D DNR |
| SNR | ≥ 52 dB |
| Wide Dynamic Range (WDR) | 120 dB |
| Privacy Mask | 4 programmable polygon privacy masks |
| Interface | |
| Ethernet Interface | 1 x RJ45, 10/100 Mbps self-adaptive Ethernet port |
| On-Board Storage | Built-in memory card slot, supports MicroSD / SDHC / SDXC cards up to 512 GB |
| Built-in Microphone | Yes, 2 built-in microphones |
| Built-in Speaker | 1 built-in speaker Max. power consumption: 2 W; max. sound pressure level: 10 cm: 97 dB |
| Audio | 1 input (line in), two-core terminal block, max. input amplitude: 3.3 Vpp, input impedance: 4.7 kΩ, interface type: non-equilibrium, 1 output (line out), two-core terminal block, max. output amplitude: 3.3 Vpp, output impedance: 100 Ω, interface type: non-equilibrium |
| Alarm | 1 input, 1 output (max. 24 V DC / 24 V AC, 1 A) |
| Reset Key | Yes |
| Event Types | |
| Basic | Motion detection (support alarm triggering by specified target types (human and vehicle)), video tampering alarm, exception |
| Smart | scene change detection |
| Linkage | Upload to FTP / NAS / memory card, notify surveillance center, trigger recording, trigger capture, send email, audible warning, trigger alarm output, white light flashing |

| Deep Learning Functions | |
|----------------------------------|---|
| Face Capture | Yes |
| Perimeter Protection | Line crossing, intrusion, region entrance, region exiting Support for alarm triggering by specified target types (human and vehicle) |
| General | |
| Power | 12 VDC \pm 25%, 1.35 A, max. 16 W, reverse polarity protection, two-core terminal block, PoE: IEEE 802.3at, Class 4, max. 18 W |
| Materials | Metal |
| Dimensions | \varnothing 6.10" \times 5.23" (\varnothing 155 \times 140.4 mm) |
| Package Dimensions | 8.1 \times 8.1 \times 9.1" (206 \times 206 \times 230 mm) |
| Weight | Approx. 1.8 lb. (820 g) |
| Packaged Weight | Approx. 2.6 lb. (1,200 g) |
| Storage Conditions | -22° to 140° F (-30° to 60° C). Humidity 95% or less (non-condensing) |
| Startup and Operating Conditions | -22° to 140° F (-30° to 60° C). Humidity 95% or less (non-condensing) |
| General Functions | Heartbeat, mirror, password reset via email, pixel counter, anti-banding, flash log |
| Strobe | White Flashing Light |

Dimensions







Unit:mm(inch)



Unit: mm (inch)

Accessories

| LTB342-155 Wall mount | LTB781 Pendant Mount | LTB388 Vertical pole mount | LTB389 Corner mount |
|---|---|---|---|
|  |  |  |  |

