

8MP Pro-X Intelligent Color Series with X-Deterrence

LXIP3C82WI-28SDL



Key Features

- Outputs max. 8MP (3840×2160) @30fps
- 1/2.8" Starlight CMOS image sensor
- Min. Illumination 0.0005 Lux @ F1.0 (Color, 30 IRE), 0 Lux with illuminator on
- Built-in IR LED & warm light LED, Matrix illuminator distance up to 98ft
- Smart encoding H.265/H.264
- 120dB True WDR, 3D DNR, HLC, BLC
- MD 2.0 focus on human & vehicle
- Smart VCA by AI algorithm
- Sound and light alarm (red and blue lights)
- Built-in dual MICs and Speaker, support two-way talk
- Support Alarm and Audio interface
- One press arming/disarming through alarm input
- Built-in Micro SD card slot, up to 256 GB
- 12V DC/PoE power supply
- IP67 protection

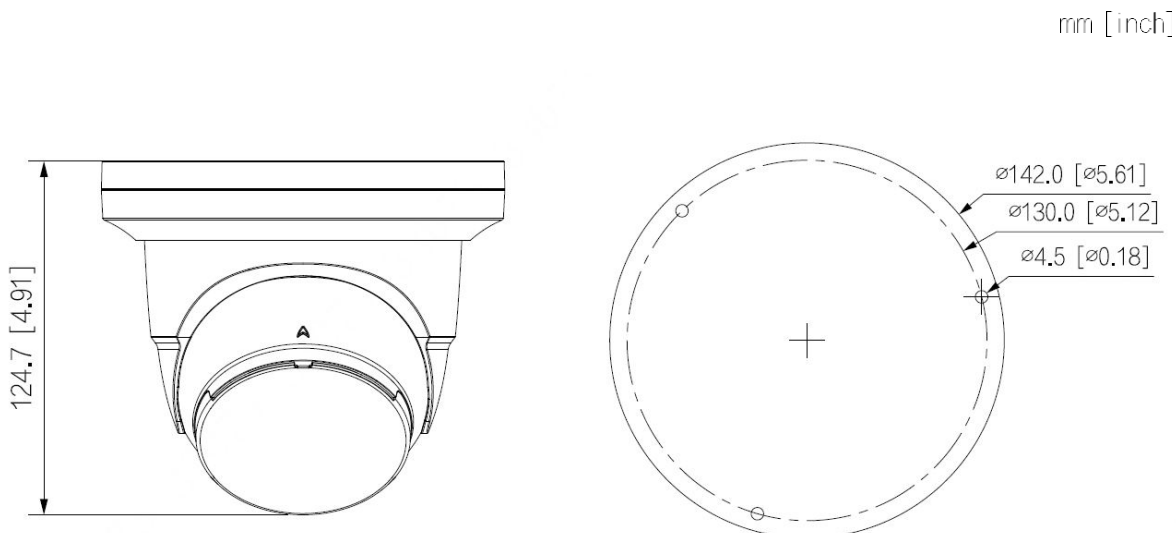
Specification

LXIP3C82WI-28SDL

Camera	
Image Sensor	1/2.8" 8Megapixel progressive CMOS
Min. Illumination	0.0005 Lux @ F1.0 (Color, 30 IRE), 0.0001 Lux@F1.0 (B/W, 30 IRE), 0 Lux with illuminator on
Shutter	Auto/Manual 1/3 s-1/100, 000 s
S/N Ratio	> 56 dB
Noise Reduction	3D NR
Wide Dynamic Range	120 dB
Day & Night	Auto(ICR)/Color/B/W
Angle Adjustment	Pan: 0°-360°, Tilt: 0°-78°, Rotation: 0°-360°
Lens Type	Fixed-focal 2.8mm@F1.0
Iris Type	Fixed
Field of View	Horizontal:106°, Vertical: 55°, Diagonal: 125°
Close Focus Range	2.0 m (6.56ft)
DORI	Detect: 91.0m(298.56ft), Observe: 36.4 m(119.42ft), Recognize: 18.2 m(59.71ft), Identify: 9.1 m(29.86ft)
Illuminator	1 (IR LED), 1 (warm light)
Illumination Range	30 m (98.43ft)
Illuminator Control	Auto/Manual
Video	
Video Compression	H.265, H.264, H.264H, H.264B, MJPEG(only supported by sub stream)
Smart Codec	Supported
Resolution	8M (3840 × 2160), 6M (3072 × 2048), 5M (3072 × 1728/2592× 1944), 4M (2688 × 1520), 4MP (2560 × 1440), 3M (2304 × 1296/2048 × 1536), 1080p (1920 × 1080), 1.3M (1280 × 960), 720p (1280 × 720), D1 (704 × 576/704 × 480), VGA (640 × 480), CIF (352 × 288/352 × 240)
Video Frame Rate	Main stream: 3840 × 2160 @ (1 fps- 30 fps) Sub stream: 704 × 576 @ (1 fps- 25 fps), 704 × 480 @ (1 fps- 30 fps) Third stream: 1920 × 1080 @ (1 fps- 30 fps)
Video Stream	3 streams
Bit Rate Control	CBR, VBR
Video Bit Rate	H.264: 32 kbps-8192 kbps; H.265: 12 kbps-8192 kbps
ROI	Supported (4 areas)
Image Rotation	0°/90°/180°/270° (Support 90°/270° with 2688 × 1520 resolution and lower.)
Mirror	Supported
Privacy Mask	Supported (8 areas)
Audio	
Built-in MIC	Supported Dual MICs
Built-in Speaker	Yes
Audio Compression	PCM, G.711a, G.711Mu, G.726, G.723
Intelligent Analysis	
VCA	Tripwire, intrusion (Support the classification and accurate detection of vehicle and human)
MD 2.0	Yes, support alarm triggered by vehicle and human
Event	

Alarm Event	No SD card, SD card full, SD card error, network disconnection, IP conflict, illegal access, motion detection, video tampering, voltage detection, security exception, tripwire, intrusion, scene changing, audio detection, external alarm, IMD
Network	
Protocol	IPv4, IPv6, HTTP, HTTPS, TCP, UDP, ARP, RTP, RTSP, RTCP, RTMP, SMTP, FTP, SFTP, DHCP, DNS, DDNS, QoS, UPnP; NTP, Multicast, ICMP, IGMP, NFS, PPPoE, 802.1x
Interoperability	ONVIF(Profile S/Profile G/Profile T), API, P2P
Storage	FTP, SFTP, Micro SD Card (support max. 256 G), NAS
Web Browser	IE, Chrome, Firefox
Client	PRO-X, X-Station
Interface	
Audio I/O	1 channel (RCA port) in, 1 channel (RCA port) out
Alarm I/O	1 channel in: 5mA 3V-5VDC, 1 channel out: 300mA 12VDC
Network	RJ-45 (10/100 Base-T)
General	
Power	12V DC/PoE (802.3af), < 10.2W
Housing	Aluminum alloy body, except for trim ring
Dimensions	124.7 mm × Φ142.0 mm (4.91" × Φ5.61")
Operating Conditions	-40°C to +60°C (-40°F to +140°F)/less than 95% RH
Storage Conditions	-40°C to +60°C (-40°F to +140°F)
Protection Grade	IP67
Net Weight	0.84 kg (1.85 lb)
Gross Weight	1.01 kg (2.23 lb)
Certification	FCC

Dimensions (mm[inch])



Accessory

<p>LXKJB05 Junction Box</p>	<p>LWXM05 Wall Mount</p>
