

## I760xNxTx Series Surveillance Kits NVR and Camera Kits

- Up to 5 Megapixel Resolution Recording
- 40 Mbps/60 Mbps Incoming Bandwidth
- Supports H.264+ and H.264
- Synchronous HDMI and VGA Output 1920 × 1080p Resolution
- 4/8-ch Network Cameras Can Be Connected
- 1 SATA Interface
- Plug & Play w/Up to 8 Independent PoE Network Connections
- Supports Network Detection, Including Network Delay, Packet Loss
- Alarm and Audio I/O



DS-2CD2342WD-I Outdoor Turret Camera (included with I7604N1TP and I7608N2TP Kits)



DS-2CD2120F-I Outdoor Dome Camera (included with I7604N1TA and I7608N2TA Kits)



DS-7604NI-EV1/4P NVR (included with I7604N1TA and I7608N1TP Kits)



DS-7608NI-EV2/8P NVR (included with I7604N2TA and I7608N2TP Kits)

Each of the four Hikvision I760xN1Tx Surveillance Kits feature a Network Video Recorder (NVR) bundled with IP cameras for quick setup.

The kits are available with four channel (includes four cameras) or eight channel (includes six cameras) NVRs. Each dual stream NVR features 30 fps HDMI output, PoE+ connections, and two-way audio input.

The 2 megapixel dome or 4 megapixel turret cameras with 1/2.8" progressive scan CMOS sensors offer resolutions up to 1920 x 1080 (I7604N1TA and I7608N2TA) and 2688 x 1520 (I760N1TP and I7608N2TP).

### Available Models:

**I7604N1TA:** (1) DS-7604NI-EV1/4P NVR  
(4) DS-2CD2120F-I Outdoor Dome Cameras

**I7608N2TA:** (1) DS-7608NI-EV2/8P NVR  
(6) DS-2CD2120F-I Outdoor Dome Cameras







**I7604N1TP:** (1) DS-7604NI-EV1/4P NVR  
(4) DS-2CD2342WD-I Outdoor Turret Cameras








**I7608N2TP:** (1) DS-7608NI-EV2/8P NVR  
(6) DS-2CD2342WD-I Outdoor Turret Cameras

# Specifications

	I7604N1TA	I7604N1TP	I7608N2TA	I7608N2TP
<b>■ CAMERA</b>				
Camera Quantity	4		6	
Model	DS-2CD2120F-I	DS-2CD2342WD-I	DS-2CD2120F-I	DS-2CD2342WD-I
Type	2 MP CMOS vandal-resistant network dome camera	4 MP CMOS network turret camera	2 MP CMOS vandal-resistant network dome camera	4 MP CMOS network turret camera
Lens	2.8 mm @ f/2.0; angle of view: 106°			
Image Sensor	1/2.8" progressive scan CMOS	1/3" progressive scan CMOS	1/2.8" progressive scan CMOS	1/3" progressive scan CMOS
Min. Illumination	0.028 lux @ f/2.0, AGC on, 0 lux with IR			
Shutter Speed	1/3 s to 1/100,000 s		1/3 s to 1/100,000 s	
Lens Mount	M12			
Day/Night	IR cut filter with auto switch			
Digital Noise Reduction	3D DNR			
Wide Dynamic Range	Digital WDR	120 dB	Digital WDR	120 dB
Angle Adjustment	Pan: 0° to 355°, tilt: 0° to 75°, rotation: 0° to 355°	Pan: 0° to 360°, tilt: 0° to 75°, rotation: 0° to 360°	Pan: 0° to 355°, tilt: 0° to 75°, rotation: 0° to 355°	Pan: 0° to 360°, tilt: 0° to 75°, rotation: 0° to 360°
<b>Compression Standard</b>				
Video Compression	H.264/MJPEG	H.264+, H.264, MJPEG	H.264/MJPEG	H.264+, H.264, MJPEG
H.264 Type	Main profile			
Video Bit Rate	32 Kbps to 8 Mbps		32 Kbps to 8 Mbps	
Dual Stream	Yes			
<b>Image</b>				
Max. Resolution	1920 x 1080	2688 x 1520	1920 x 1080	2688 x 1520
Frame Rate @ 60 Hz	30 fps (1920 x 1080, 1280 x 720, 1280 x 720)	20 fps (2688 x 1520), 30 fps (1920 x 1080, 1280 x 720)	30 fps (1920 x 1080, 1280 x 720, 1280 x 720)	20 fps (2688 x 1520), 30 fps (1920 x 1080, 1280 x 720)
Sub Stream	60 Hz: 30 fps (320 x 240), 30 fps (352 x 288), 30 fps (640 x 480), 30 fps (704 x 576)	60 Hz: 30 fps (352 x 240), 30 fps (640 x 360)	60 Hz: 30 fps (320 x 240), 30 fps (352 x 288), 30 fps (640 x 480), 30 fps (704 x 576)	60 Hz: 30 fps (352 x 240), 30 fps (640 x 360)
Image Settings	Rotate mode, saturation, brightness, contrast adjustable by client software or Web browser			
BLC	Yes, zone optional			
ROI	Supported			
<b>Network</b>				
MicroSD/SDHC/SDXC	Built-in slot, 128 GB maximum	---	Built-in slot, 128 GB maximum	---
NAS	Supports NFS, SMB/CIFS			
Detection	Intrusion detection, line crossing detection, motion detection, dynamic analysis			
Alarm Trigger	Motion detection, tampering alarm, network disconnect, IP address conflict, storage exception			
Protocols	TCP/IP, ICMP, HTTP, HTTPS, FTP, DHCP, DNS, DDNS, RTP, RTSP, RTCP, NTP, UPnP, SMTP, IGMP, 802.1X, QoS, IPv6, Bonjour			
Security	User authentication, watermark			
Standard	ONVIF, CGI, ISAPI			
General	One-key reset, anti-flicker, dual stream, heartbeat, mirror, password protection, privacy mask, watermark, IP address filtering, anonymous access			
<b>Interface</b>				
Communication Interface	1 RJ-45 10M/100M Ethernet interface			
<b>General</b>				
Operating Conditions	-30° C to 60° C (-22° F to 140° F); humidity 95% or less (non-condensing)			
Power Supply	12 VDC ±10%, PoE (802.3af)			
Power Consumption	Max. 5.3 W	Max.: 5.5 W (7.5 W w/ICR on)	Max. 5.3 W	Max.: 5.5 W (7.5 W w/ICR on)
Ingress Protection level	IP67			
IR Range	100 ft (30 m)			
Impact Protection	IEC60068-2-75Eh, 20J; EN50102, up to IK10	N/A	IEC60068-2-75Eh, 20J; EN50102, up to IK10	N/A
Dimensions	Φ4.4" × 3.2" (111 mm × 82 mm)	Φ5.0" × 3.8" (Φ127 mm × 97.5 mm)	Φ4.4" × 3.2" (111 mm × 82 mm)	Φ5.0" × 3.8" (Φ127 mm × 97.5 mm)
Weight	1.1 lb (500 g)	1.5 lbs (670 g)	1.1 lb (500 g)	1.5 lbs (670 g)

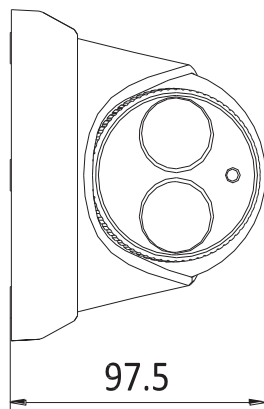
# Accessories

DS-2CD2342WD-I Turret Camera					
					
Wall Mount WMS	Pendant Cap PC130T	Junction Box CBM	Inclined Ceiling Mount ABM	Corner Mount CM	Vertical Pole Mount PM

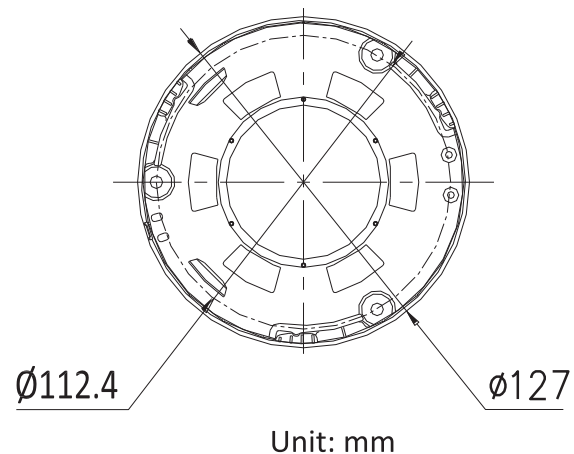
DS-2CD2120F-I Dome Camera						
						
Inclined Ceiling Mount AB110	Wall Mount WMS	Pendant Cap PC110	Sun/Rain Shade SRS	Rain Shade SRS	Conduit Box CB110	Wall Mount WM110



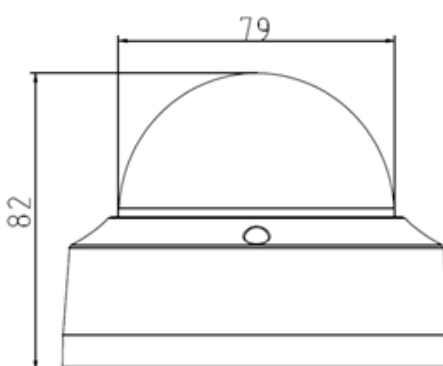
	I7604N1TA	I7604N1TP	I7608N1TA	I7608N1TP
<b>■ NVR</b>				
Model	DS-7604NI-EV1/4P		DS-7608NI-EV2/8P	
<b>Video/Audio Input</b>				
IP Video Input	4-ch		8-ch	
Two-Way Audio Input	1-ch, RCA (2.0 Vp-p, 1k Ω)			
<b>Network</b>				
Video Compression	H.264+, H.264			
Incoming Bandwidth	40 Mbps		60 Mbps	
Outgoing Bandwidth	60 Mbps			
Remote Connections	128			
<b>Video Output</b>				
Recording Resolution	5 MP/3 MP/1080p/UXGA/720p/VGA/4CIF/DCIF/2CIF/CIF/QCIF			
Frame Rate	Main stream: 30 fps Sub-stream: 30 fps			
HDMI/VGA Output	1-ch, resolution: 1920 × 1080p/1600 × 1200/1280 × 1024/1280 × 720/1024 × 768			
<b>Decoding</b>				
Live View Resolution	5 MP/3 MP/1080p/UXGA/720p/VGA/4CIF/DCIF/2CIF/CIF/QCIF			
Playback Resolution Capability	2-ch @ 1080p	2-ch @ 720p, 2-ch @ 1080p	2-ch @ 1080p	2-ch @ 720p, 2-ch @ 1080p
<b>Hard Disk</b>				
SATA	1 SATA interface for 1 HDD			
HDD Included	1 TB		2 TB	
Capacity	Up to 6 TB			
<b>External Interface</b>				
Network Interface	1 RJ-45 10/100/1000 Mbps self-adaptive Ethernet interface			
USB Interface	1 × USB 2.0 and 1 × USB 3.0			
Alarm In/Out	4 /1			
<b>PoE</b>				
Interface	4 independent 100 Mbps PoE network interfaces		8 independent 100 Mbps PoE network interfaces	
Maximum Power	50 W		120 W	
Supported Standards	802.3af and 802.3at			
<b>Other</b>				
Power Supply Consumption (without hard disk)	48 VDC, PoE+ (802.3at) ≤10 W		100 to 240 VAC, PoE+ (802.3at)	
Working Temperature	+14° F to +131° F (-10°C to +55° C)			
Working Humidity	10% to 90%			
Chassis	1U chassis			
Dimensions (W × D × H)	12.4" × 9.1" × 1.8" (315 mm × 230 mm × 45 mm)		17.5" × 11.4" × 1.8" (445 mm × 290 mm × 45 mm)	
Weight (without hard disk)	≤2.2 lb (1 kg)			



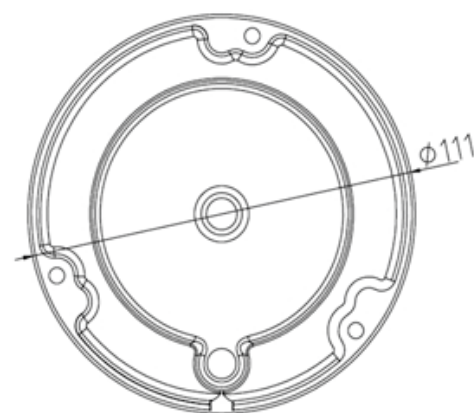
DS-2CD2342WD-I



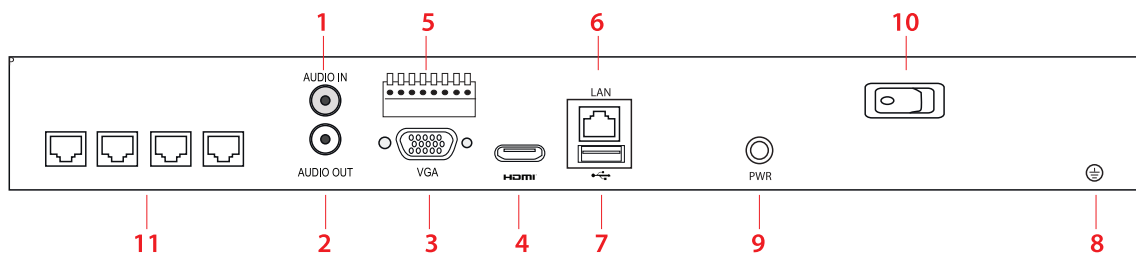
Unit: mm



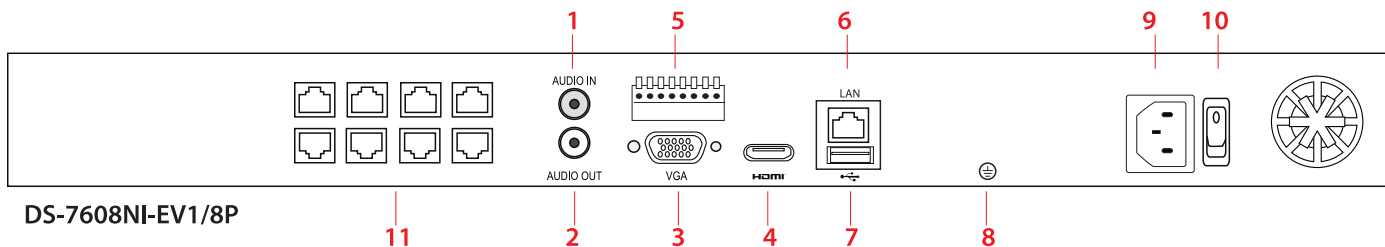
DS-2CD2120F-I



DS-7604NI-EV1/4P



DS-7608NI-EV1/8P



- |              |             |  |
|--------------|-------------|--|
| 1. Audio In  | 6. LAN      | 5. Alarm I/O                             |
| 2. Audio Out | 7. USB      | 10. Power Switch                         |
| 3. VGA       | 8. Ground   | 11. Network Interfaces with PoE Function |
| 4. HDMI      | 9. Power In |  |