

8MP Pro-X Intelligent Vari-focal Series

LXIP3783W-MDAZ



Key Features

- Outputs 8MP (3840×2160) @30fps real time, 8MP (3840 × 2160) @20fps with AI enabled
- 1/2.8" Starlight CMOS image sensor
- Min. Illumination 0.005 Lux@F1.5 (Color, 30IRE), 0 Lux with IR Light on
- Built-in IR LED, Matrix IR LED up to 131ft
- Smart encoding H.265/H.264
- 120dB True WDR, 3D DNR, HLC, BLC
- MD 2.0 focuses on human & vehicle
- Smart VCA by AI algorithm
- Built-in Micro SD card slot, up to 256 GB
- Built-in Mic
- 12V DC/POE power supply
- IP67 protection

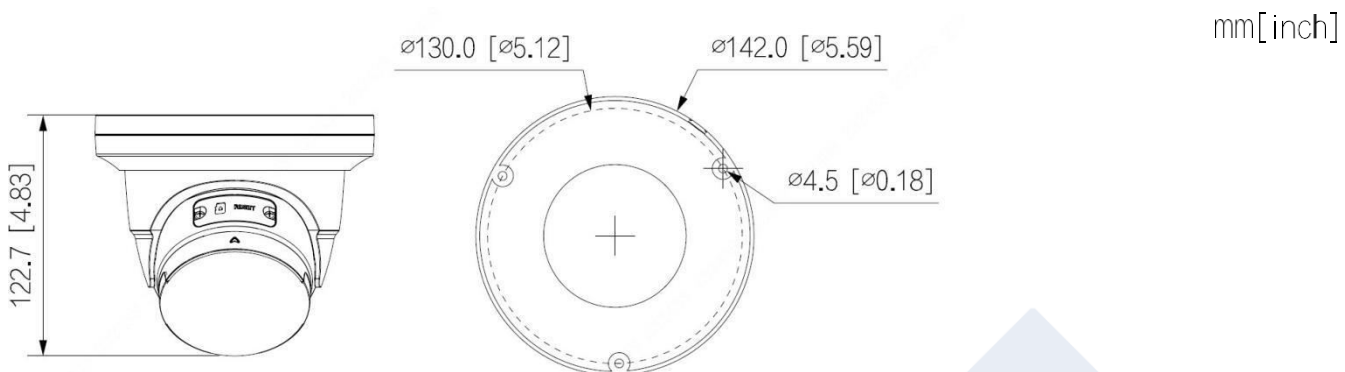
LXIP3783W-MDAZ

Specification



Camera	
Image Sensor	1/2.8" 8Megapixel progressive CMOS
Min. Illumination	0.005 Lux@F1.5 (Color, 30IRE), 0.0005 Lux@F1.5 (B/W, 30IRE), 0 Lux (Illuminator on)
Shutter	Auto/Manual 1/3 s-1/100, 000 s
S/N Ratio	> 56 dB
Noise Reduction	3D DNR
Wide Dynamic Range	120 dB
Day & Night	Auto(ICR)/Color/B/W
Angle Adjustment	Pan: 0°-360°, Tilt: 0°-78°, Rotation: 0°-360°
Lens Type	Motorized vari-focal 2.7 mm-13.5 mm @F1.5
Iris Type	Fixed
Field of View	Horizontal: 113°-31°, Vertical: 58°-17°, Diagonal: 138°-36°
Close Focus Range	0.8 m (2.6 ft)
DORI	W: Detect: 85.3 m (279.9ft), Observe: 34.1 m (111.9ft), Recognize: 17.0 m (55.8ft), Identify: 8.5 m (27.9ft) T: Detect: 280.0 m (918.6ft), Observe: 112.0 m (367.5ft), Recognize: 56.0 m (183.7ft), Identify: 28.0 m (91.9ft)
Illuminator	2 (IR LED)
Illumination Range	40 m (131.2 ft)
Illuminator Control	Auto/Manual
Video	
Video Compression	H.265, H.264, H.264H, H.264B, MJPEG(only supported by sub stream)
Smart Codec	Supported
Resolution	8M (3840 × 2160), 6M (3072 × 2048), 5M (3072 × 1728/2592 × 1944), 4M (2688 × 1520), 3M (2048 × 1536/2304 × 1296), 1080p (1920 × 1080), 1.3M (1280 × 960), 720p (1280 × 720), D1(704 × 576/704 × 480), VGA (640 × 480), CIF (352 × 288/352 × 240)
Video Frame Rate	Main stream: 3840 × 2160 @(1-20 fps by default) / 3840 × 2160 @(1-30 fps when AI function disabled) Sub stream: 704 × 576 @ (1-25 fps) / 704 × 480 @ (1-30 fps) Third stream: 1920 × 1080 @(1-30 fps)
Video Stream	3 streams
Bit Rate Control	CBR, VBR
Video Bit Rate	H.264: 3 kbps - 8192 kbps, H.265: 3 kbps - 8192 kbps
ROI	Supported (4 areas)
Image Rotation	0°/90°/180°/270° (Support 90°/270° with 1920 × 1080 resolution and lower.)
Mirror	Supported
Privacy Mask	Supported (4 areas)
Audio	
Built-in MIC	Yes
Audio Compression	G.711a, G.711Mu, G726
Intelligent Analysis	
VCA	Tripwire, intrusion (Support the classification and accurate detection of vehicle and human)
MD 2.0	Yes, support alarm triggered by vehicle and human

Event	
Alarm event	No SD card, SD card full, SD card error, service life warning (only supported by card), network disconnection, IP conflict, illegal access, motion detection, video tampering, intrusion, tripwire, scene changing, audio detection, voltage detection, defocus detection, IMD, safety exception
Network	
Protocol	IPv4, IPv6, HTTP, HTTPS, TCP, UDP, ARP, RTP, RTSP, RTCP, RTMP, SMTP, FTP, SFTP, DHCP, DNS, DDNS, QoS, UPnP, NTP, Multicast, ICMP, IGMP, NFS, SAMBA, PPPoE, 802.1x, SNMP
Interoperability	ONVIF(Profile S/Profile G/Profile T), API, P2P
Storage	FTP, SFTP, Micro SD Card (support max. 256 G), NAS
Web Browser	IE: IE8, IE9, IE11, Chrome, Firefox
Client	PRO-X, X Station
Interface	
Network	RJ-45 (10/100 Base-T)
General	
Power	12V DC/PoE (802.3af), <7.3W
Housing	Aluminum alloy body, except for trim ring
Dimensions	122.7 mm × Φ142 mm (4.83" × Φ5.59")
Operating Conditions	-30°C to +60°C (-22°F to +140°F)/less than 95% RH
Storage Conditions	-40°C to +60°C (-40°F to +140°F)
Protection Grade	IP67
Net Weight	0.79 kg (1.7lb)
Gross Weight	0.93 kg (2.1lb)
Certification	FCC

Dimensions (mm[inch])



Accessory

LXKJB05 Junction Box	LWXM05 Wall Mount
 A white, cylindrical junction box with a circular opening on the top and a smaller opening on the side.	 A white, L-shaped wall mount bracket with a circular hole in the center of the horizontal part.