

4MP Pro-X PTZ

LXPTZIP514W-X32IR



Key Features

- Outputs max. 4MP (2560 × 1440) @30fps
- 1/2.8" Starlight CMOS image sensor
- Powerful 32x optical zoom
- Min. Illumination 0.005 Lux@F1.3, 0 Lux with IR LED on
- Built-in IR LED, Matrix IR LED up to 492ft
- H.265/H.264, flexible coding, smart codec
- Auto Tracking and PFA technology
- MD 2.0 focus on human & vehicle
- Smart VCA by AI algorithm
- Support face detection
- Built-in Micro SD card slot, up to 512 GB
- 24V DC/PoE+ power supply
- IP67 and IK10 protection

Specification

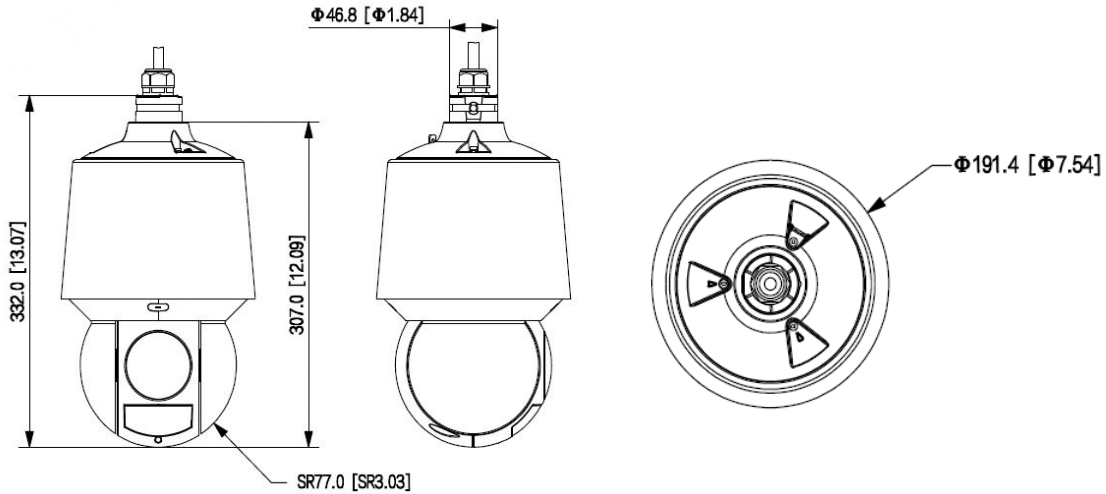
LXPTZIP514W-X32IR

| Camera | |
|----------------------|--|
| Image Sensor | 1/2.8" 4Megapixel progressive CMOS |
| Min. Illumination | Color: 0.005 lux@F1.3, B/W: 0.0005 lux@F1.3, 0 Lux with IR light on |
| Shutter | Electronic 1/1 s-1/30, 000 s |
| S/N Ratio | > 56 dB |
| Noise Reduction | 2D NR, 3D NR |
| Wide Dynamic Range | 120 dB |
| Day & Night | Auto(ICR)/Color/B/W |
| Angle Adjustment | Pan: 0°-360° endless, Tilt: -15°to 90°, auto flip 180° |
| Optical Zoom | 32x |
| Focal Length | 4.9 mm-156 mm |
| Field of View | Horizontal: 61.6°-2.1°, Vertical: 35.1°-1.3°, Diagonal: 68.2°-2.5° |
| Close Focus Range | 1 m-1.5 m (3.28 ft-4.92 ft) |
| DORI | Detect: 3,120m (10,236.22ft), Observe: 1,232 m (4,041.99ft), Recognize: 624 m (2,047.24ft), Identify: 312 m (1,023.62ft) |
| Illuminator | 4 (IR LED) |
| Illumination Range | 150 m (492.13ft) |
| Illuminator Control | Auto/Manual/ Smart IR/ Zoom Priority/ Off |
| Control Speed | Manual, Pan: 0.1°/s-250°/s, Tilt: 0.1°/s-140°/s |
| Preset | 300 |
| Tour | 8 (up to 32 presets per tour) |
| Pattern | 5 |
| Scan | 5 |
| Power-off Memory | Yes |
| Video | |
| Video Compression | H.265, H.264, H.264H, H.264B, MJPEG(only supported by sub stream1) |
| Smart Codec | Supported |
| Resolution | 4MP (2560 × 1440), 3M (2048 × 1536), 1080p (1920 × 1080), 1.3M (1280 × 960), 720p (1280 × 720), D1 (704 × 576/704 × 480), CIF (352 × 288/352 × 240) |
| Video Frame Rate | Main stream: 4MP (2560 × 1440)/ 3M (2048 × 1536)/ 1080p (1920 × 1080), 1.3M (1280 × 960)/ 720p (1280 × 720) @1 fps- 30 fps Sub stream1: D1 (704 × 576/704 × 480)/ CIF (352 × 288/352 × 240) @1 fps-30 fps Sub stream2: 720p (1280 × 720) @1 fps-30 fps |
| Video Stream | 3 streams |
| Bit Rate Control | CBR, VBR |
| Video Bit Rate | H.264: 96 Kbps - 14848 Kbps H265: 38 Kbps - 8960 Kbps |
| ROI | Supported |
| Image Rotation | 180° |
| Defog | Electronic |
| Image Stabilization | Electronic |
| Privacy Mask | Supported (24 areas with up to 8 areas in the same view) |
| Intelligent Analysis | |

| | |
|----------------------|--|
| VCA | Tripwire, intrusion (Support the classification and accurate detection of vehicle and human) |
| MD 2.0 | Yes, support alarm triggered by vehicle and human |
| Face Detection | Supported |
| Auto Tracking | Supported |
| Event | |
| Alarm event | Motion/tampering detection, audio detection, network disconnection detection, IP conflict detection, memory card state detection, memory space detection |
| Network | |
| Protocol | HTTP, HTTPS, TCP/IP, IPv4, RTSP, UDP, SMTP, NTP, DHCP, DNS, DDNS, IPv6, 802.1x, SSL, QoS, FTP, UPnP, ICMP, SNMP, IGMP, ARP, RTCP, RTP, PPPoE, RTMP, Bonjour, NFS |
| Interoperability | ONVIF (Profile S&G&T), API, P2P |
| Storage | FTP, SFTP, Micro SD Card (support max. 512 G), NAS |
| Web Browser | IE, Chrome, Firefox, Safari |
| Client | PRO-X, X Station |
| Interface | |
| Network | RJ-45 (10/100 Base-T) |
| Alarm I/O | 2 input, 1 output |
| Audio I/O | 1 input, 1 output |
| Two-way Audio | Yes |
| General | |
| Power | 24V DC/ PoE+ (802.3at), <20W |
| Housing | Metal |
| Dimensions | Φ191 mm × 332 mm (Φ7.52" × 13.07") |
| Operating Conditions | -40 °C to +70 °C (-40 °F to +158 °F) |
| Protection Grade | IP67, IK10 |
| Gross Weight | 8 kg (17.64lb) |
| Net Weight | 4.7 kg (10.36lb) |
| Certification | FCC |



Dimensions (mm[inch])

mm [inch]



Accessory

Wall Mount Bracket is included in package. Optional accessory is for Parapet Mount

| LXKWM02 Wall Mount (included in package) | LXPM06 Parapet Mount |
|---|---|
|  |  |