

4MP Pro-X Lite Series

LXIP1142W-28MA



Key Features

- Outputs max. 4MP (2688×1520) @20fps or 4MP (2560 × 1440) @30fps
- 1/3" Starlight CMOS image sensor
- Min. Illumination 0.008 Lux @ F1.6 (Color, 30 IRE), 0 Lux with IR Light on
- Built-in IR LED, Matrix IR LED up to 98ft
- Smart encoding H.265/H.264
- 120dB True WDR, 3D DNR, HLC, BLC
- MD: intrusion, tripwire
- Built-in Micro SD card slot, up to 256 GB
- Built-in Mic
- 12V DC/POE power supply
- IP67 protection

LXIP1142W-28MA

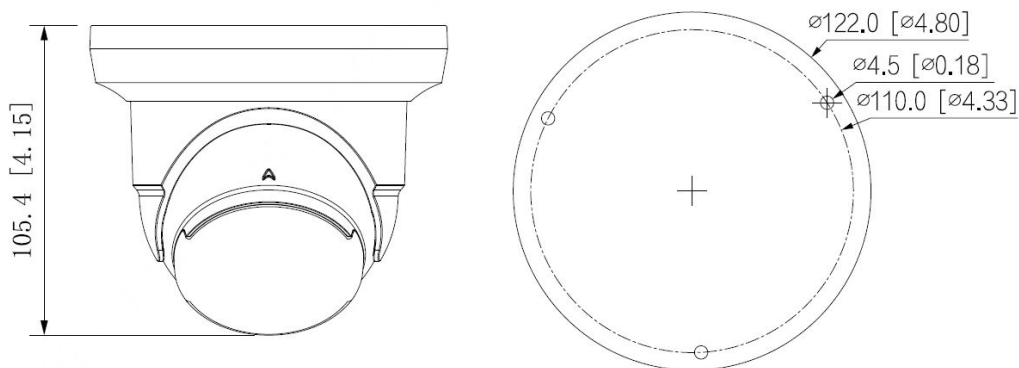
Specification

Camera	
Image Sensor	1/3" 4Megapixel progressive CMOS
Min. Illumination	0.008 Lux @ F1.6 (Color, 30 IRE), 0 Lux with IR Light on
Shutter	Auto/Manual 1/3 s–1/100,000 s
S/N Ratio	> 56 dB
Noise Reduction	3D NR
Wide Dynamic Range	120 dB
Day & Night	Auto(ICR)/Color/B/W
Angle Adjustment	Pan: 0°–360°, Tilt: 0°–78°, Rotation: 0°–360°
Lens Type	Fixed-focal 2.8mm@F1.6
Iris Type	Fixed
Field of View	Horizontal:102°, Vertical: 55°, Diagonal: 121°
Close Focus Range	0.9 m (2.95 ft)
DORI	Detect: 56.0m(183.73ft) , Observe: 22.4 m(73.49ft) , Recognize: 11.2 m(36.75ft), Identify: 5.6 m(18.37ft)
Illuminator	2 (IR LED)
Illumination Range	30 m (98.43 ft)
Illuminator Control	Auto/Manual
Video	
Video Compression	H.265, H.264, H.264B, MJPEG(only supported by sub stream)
Smart Codec	Supported
Resolution	4M (2688 × 1520), 4MP (2560 × 1440), 3M (2304 × 1296), 1080p (1920 × 1080), 1.3M (1280 × 960), 720p (1280 × 720), D1 (704 × 576/704 × 480), VGA (640 × 480), CIF (352 × 288/352 × 240)
Video Frame Rate	Main stream: 2688 × 1520 @ (1 fps- 20 fps), 2560 × 1440 @ (1 fps- 30 fps) Sub stream: 704 × 576 @ (1 fps- 25 fps), 704 × 480 @ (1 fps- 30 fps)
Video Stream	2 streams
Bit Rate Control	CBR, VBR
Video Bit Rate	H.264: 32 kbps–6144 kbps, H.265: 12 kbps–6144 kbps
ROI	Supported (4 areas)
Image Rotation	0°/90°/180°/270° (Support 90°/270° with 2688 × 1520 resolution and lower.)
Mirror	Supported
Privacy Mask	Supported (4 areas)
Audio	
Built-in Mic	Supported
Audio Compression	G.711A, G.711Mu, G.726
Event	
MD	Tripwire, intrusion
Alarm event	No SD card, SD card full, SD card error, network disconnection, IP conflict, motion detection, video tampering, tripwire, intrusion, illegal access, voltage detection, audio detection, safety exception
Network	

Protocol	IPv4, IPv6, HTTP, TCP, UDP, ARP, RTP, RTSP, RTCP, RTMP, SMTP, FTP, SFTP, DHCP, DNS, DDNS, QoS, UPnP, NTP, Multicast, ICMP, IGMP, NFS, PPPoE, Bonjour
Interoperability	ONVIF(Profile S/Profile G/Profile T), API, P2P
Storage	FTP, SFTP, Micro SD Card (support max. 256 G), NAS
Web Browser	IE, Chrome, Firefox
Client	PRO-X, X Station
Interface	
Network	RJ-45 (10/100 Base-T)
General	
Power	12V DC/PoE (802.3af), <6.6W
Housing	Aluminum alloy body, except for trim ring
Dimensions	105.4 mm × Φ122.0 mm (4.15" × Φ4.8")
Operating Conditions	-40°C to +60°C (-40°F to +140°F)/less than 95%
Storage Conditions	-40°C to +60°C (-40°F to +140°F)
Protection Grade	IP67
Net Weight	0.52 kg (1.1lb)
Gross Weight	0.66 kg (1.5lb)
Certification	FCC

Dimensions (mm[inch])

mm [inch]



Accessory

LXJB02 Junction Box	LXWM01 Wall Mount	LXPM01 Vertical Pole Mount	LXPM02 Horizontal Pole Mount	LXKPD01 Pendant Mount	LXCM01 Corner Mount
					

