

## *8MP Pro-X Intelligent Color Series*

# LXIP3C82W-28MDA



### Key Features

- Outputs max. 8MP (3840×2160) @30fps
- 1/1.8" CMOS image sensor
- Min. Illumination 0.0005 Lux @ F1.0, 0 Lux with white light
- Built-in warm light LED, Matrix warm light LED up to 98ft
- Smart encoding H.265/H.264
- 130dB True WDR, 3D DNR, HLC, BLC
- MD 2.0 focuses on human & vehicle
- Intelligent Analysis: VCA, face detection, people counting, heat map etc
- Support X-Search (works with Pro AI Series NVR LXN9xxxD)
- Built-in MIC
- Built-in Micro SD card slot, up to 512 GB
- 12V DC/PoE power supply, X-POE
- IP67 protection

## Specification

## LXIP3C82W-28MDA

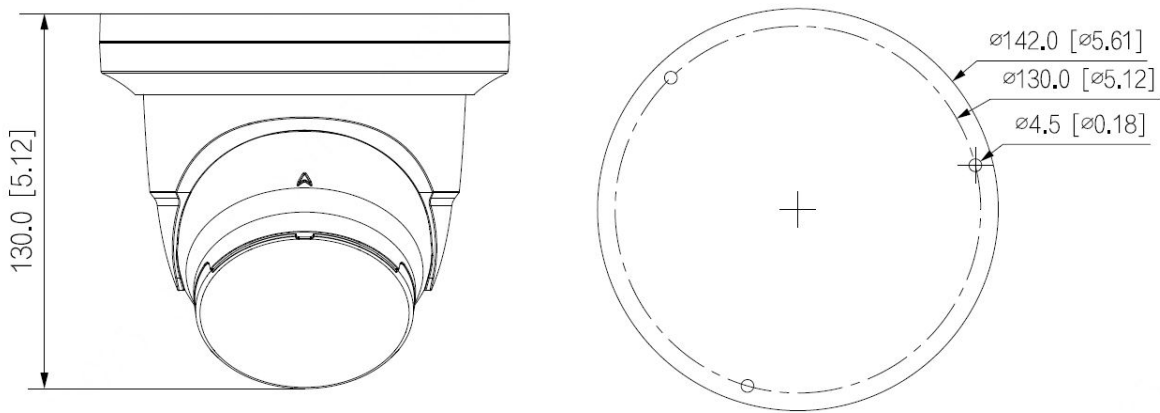
Camera	
Image Sensor	1/1.8" 8Megapixel progressive CMOS
Min. Illumination	0.0005 Lux @ F1.0, 0 Lux with White light
Shutter	Auto/Manual 1/3 s-1/100, 000 s
S/N Ratio	> 56 dB
Noise Reduction	3D NR
Wide Dynamic Range	130 dB
Day & Night	Color/B/W
Angle Adjustment	Pan: 0°-360°, Tilt: 0°-78°, Rotation: 0°-360°
Lens Type	Fixed-focal 2.8mm@F1.0
Iris Type	Fixed
Field of View	Horizontal:110°, Vertical: 59°, Diagonal: 130°
Close Focus Range	5.0 m (16.40ft)
DORI	Detect: 84.4m(276.83ft), Observe: 33.8 m(110.86ft), Recognize: 16.9 m(55.43ft), Identify: 8.4 m(27.55ft)
Illuminator	2 (warm light)
Illumination Range	30 m (98ft)
Illuminator Control	Auto/Manual
Video	
Video Compression	H.265, H.264, H.264H, H.264B, MJPEG(only supported by sub stream)
Smart Codec	Supported
Resolution	8M (3840 × 2160), 6M (3072 × 2048), 5M (3072 × 1728/2592× 1944), 4M (2688 × 1520), 3M (2048 × 1536), 1080p (1920 × 1080), 1.3M (1280 × 960), 720p (1280 × 720), D1 (704 × 576/704 × 480), VGA (640 × 480), CIF (352 × 288/352 × 240)
Video Frame Rate	Main stream: 3840 × 2160 @ (1 fps- 30 fps) Sub stream: D1 @ (1 fps- 30 fps) Third stream: 1920 × 1080 @ (1 fps- 30 fps)
Video Stream	3 streams
Bit Rate Control	CBR, VBR
Video Bit Rate	H.264: 32 kbps-16384 kbps; H.265: 32 kbps-16384 kbps
ROI	Supported (4 areas)
Image Rotation	0°/90°/180°/270° (Support 90°/270° with 2688 × 1520 resolution and lower.)
Mirror	Supported
Privacy Mask	Supported (4 areas)
Audio	
Built-in MIC	Yes
Audio Compression	PCM, G.711a, G.711Mu, G.726, G.723
Intelligent Analysis	
VCA	Tripwire, intrusion (Support the classification and accurate detection of vehicle and human)
MD 2.0	Yes, support alarm triggered by vehicle and human

Face Detection	Face detection, snapshot, face attributes extraction including 6 attributes and 8 expressions
People Counting	Tripwire people counting and people counting in area, generating and exporting report (day/month/year)
Heat Map	Supported
X-Search*	Accurate Object Search based on feature Extract and comparison, need work Pro AI Series NVR LXN9xxxD
<b>Event</b>	
Alarm Event	No SD card, SD card full, SD card error, network disconnection, IP conflict, illegal access, motion detection, video tampering, voltage detection, security exception, tripwire, intrusion, fast moving, abandoned object, missing object, loitering detection, people gathering, scene changing, audio detection, external alarm, face detection, IMD, area people counting, stay alarm, people counting, people number exception detection
<b>Network</b>	
Protocol	IPv4, IPv6, HTTP, HTTPS, TCP, UDP, ARP, RTP, RTSP, RTCP, RTMP, SMTP, FTP, SFTP, DHCP, DNS, DDNS, QoS, UPnP; NTP, Multicast, ICMP, IGMP, NFS, PPPoE, 802.1x
Interoperability	ONVIF(Profile S/Profile G/Profile T), API, P2P
Storage	FTP, SFTP, Micro SD Card (support max. 256 G), NAS
Web Browser	IE, Chrome, Firefox
Client	PRO-X, X Station

<b>Interface</b>	
Network	RJ-45 (10/100 Base-T)
<b>General</b>	
Power	12V DC/PoE+ (802.3af)/X-POE, < 9.6W
Housing	Aluminum alloy body, except for trim ring
Dimensions	142.0 mm × Φ 130 mm (5.12" × Φ 5.61")
Operating Conditions	-40°C to +60°C (-40°F to +140°F)/less than 95% RH
Storage Conditions	-40°C to +60°C (-40°F to +140°F)
Protection Grade	IP67
Net Weight	0.89 kg (1.96lb)
Gross Weight	1.06 kg (2.34lb)
Certification	FCC

**Dimensions (mm[inch])**

mm[inch]



**Accessory**

<p><b>LXKJB05</b> Junction Box</p>	<p><b>LXWM05</b> Wall Mount</p>
