

CMSD6412

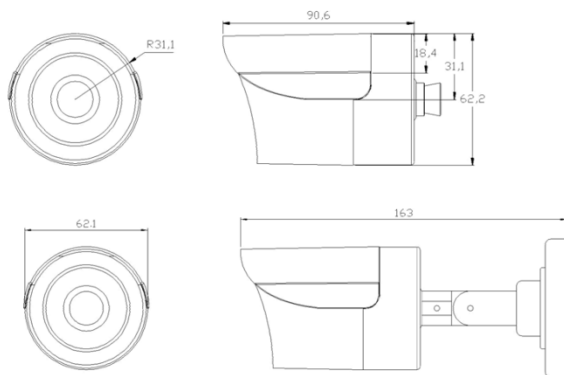
HD-SDI IR Bullet Camera



Key features

- 1.3 Mega Pixels
- 1/3" Sensor
- 3.6mm Lens
- 24pcs IR LEDs, 65ft(20m)
- Aluminum housing
- DC 12V input

Dimensions



CMSD6412	
Camera	
Image Sensor	1/3" Sensor
Signal System	NTSC/PAL(Euro Version)
Effective Pixels	1.3 Mega Pixels
Min. Illumination	0 Lux(Infrared Lamps Turn on)
Shutter Speed	NTSC: 1/60-1/50,000
	PAL: 1/50-1/50,000
Lens	3.6mm Mega Pixel Lens
Day & Night	ICR
Horizontal Resolution	NTSC/PAL :1280X720P
Synchronization	Internal
S/N Ratio	> 39dB (AGC off)
Digital Noise Reduction	2D DNR
White Balance	Auto Tracking White Balance
BLC	Auto
Auto Gain Control	Auto
Smart IR	Yes
General	
Working Temperature	-10 °C - 50 °C (14 °F - 122°F)
/Humidity	RH85% Max. (Non-condensing)
Power Supply	DC 12V
Power Consumption	< 4W(when the infrared lamps turn on)
Weather-proof rating	IP66
Infrared Red Lamps	24pcs
IR Range	65ft(20m)
Dimension	2.4"x2.4"x6.4"(60 x 60 x 162mm)
Weight	1.1lb(500g)