

# LTD8304M-ET/ LTD8308M-ETC

## TURBO ACUSENSE DVR

### Key Feature

- Deep learning-based motion detection 2.0 for all analog channels
- Deep learning-based perimeter protection
- H.265 Pro+/H.265 Pro/H.265/H.264+/H.264 video compression
- HDTV/AVD/CVI/CVBS/IP video inputs
- Audio via coaxial cable
- Up to 6/12-ch IP camera inputs (up to 6 MP)
- Up to 10 TB capacity per HDD



### Compression and Recording

- H.265 Pro+ video compression improves encoding efficiency, and reduces data storage costs
- Full channel recording at up to 1080p resolution

### Storage and Playback

- Smart search for efficient playback

### Smart Function

- Deep learning-based motion detection, perimeter protection (line crossing and intrusion detection), or facial detection
- Support multiple VCA (Video Content Analytics) events for both analog and smart IP cameras

### Network & Ethernet Access

- Compatible with major Wi-Fi dongle products in the market
- LTS-Connect & DDNS (Dynamic Domain Name System) for easy network management
- Output bandwidth limit configurable

## Specification

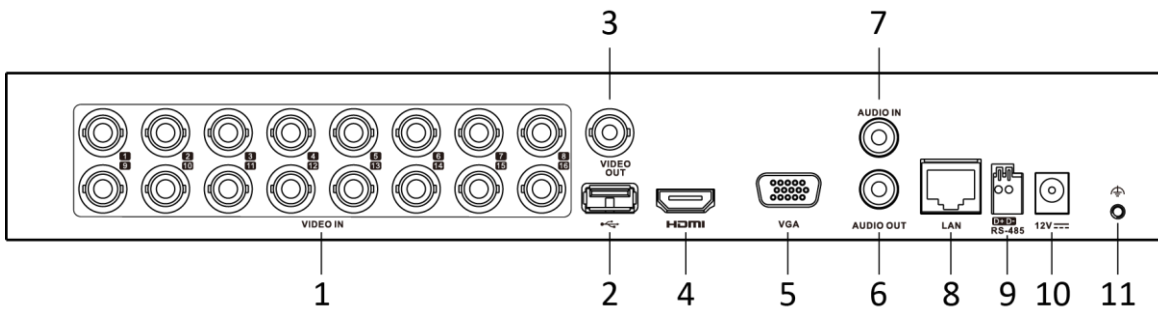
Model	LTD8304M-ET	LTD8308M-ETC
<b>Motion Detection 2.0<sup>1</sup></b>		
<b>Human/Vehicle Analysis</b>	Deep learning-based motion detection 2.0 is enabled by default for all analog channels, it can classify human and vehicle, and extremely reduce false alarms caused by objects like leaves and lights; Quick search by object or event type is supported;	
<b>Perimeter Protection<sup>1</sup></b>		
<b>Human/Vehicle Analysis</b>	Up to 2-ch	Up to 4-ch
<b>Facial Detection<sup>1</sup></b>		
<b>Facial detection and capture</b>	1-ch human face capture (HD analog camera)	
<b>Recording</b>		
<b>Video compression</b>	H.265 Pro+/H.265 Pro/H.265/H.264+/H.264	
<b>Encoding resolution</b>	Main stream: When 1080p lite mode not enabled: For 4 MP stream access: 4 MP lite@15 fps; 1080p lite/720p/WD1/4CIF/VGA/CIF@25 fps (P)/30 fps (N) For 3 MP stream access: 3 MP/1080p/720p/VGA/WD1/4CIF/CIF@15 fps For 1080p stream access: 1080p/720p@15 fps; VGA/WD1/4CIF/CIF@25 fps (P)/30 fps (N) For 720p stream access: 720p/VGA/WD1/4CIF/CIF@25 fps (P)/30 fps (N) When 1080p Lite mode enabled: 4 MP lite/3 MP@15 fps; 1080p lite/720p lite/VGA/WD1/4CIF/CIF@25 fps (P)/30 fps (N)	
	Sub-stream: WD1/4CIF@12 fps; CIF@25 fps (P)/30 fps (N)	
<b>Video bitrate</b>	32 Kbps to 6 Mbps	
<b>Dual stream</b>	Support	
<b>Stream type</b>	Video, Video & Audio	
<b>Audio compression</b>	G.711u	
<b>Audio bitrate</b>	64 Kbps	
<b>Video and Audio</b>		
<b>IP video input<sup>2</sup></b>	1-ch (up to 5-ch)	2-ch (up to 10-ch)
	Enhanced IP mode on: 2-ch (up to 6-ch), each up to 4 Mbps	Enhanced IP mode on: 4-ch (up to 12-ch), each up to 4 Mbps
	Up to 6 MP resolution	
	Support H.265+/H.265/H.264+/H.264 IP cameras	
<b>Analog video input</b>	4-ch	8-ch
	BNC interface (1.0 Vp-p, 75 Ω), supporting coaxitron connection	

<b>HDTVI input</b>	4 MP, 3 MP, 1080p30, 1080p@25 fps, 720p@60 fps, 720p@50 fps, 720p@30 fps, 720p@25 fps *: The 3 MP signal input is only available for channel 1 of LTD8304M-ET, for channel 1/2 of LTD8308M-ETC	
<b>AHD input</b>	4 MP, 1080p@25 fps, 1080p@30 fps, 720p@25 fps, 720p@30 fps	
<b>HDCVI input</b>	4 MP, 1080p@25 fps, 1080p@30 fps, 720p@25 fps, 720p@30 fps	
<b>CVBS input</b>	PAL/NTSC	
<b>CVBS output</b>	1-ch, BNC (1.0 Vp-p, 75 Ω), resolution: PAL: 704 × 576, NTSC: 704 × 480	
<b>HDMI/VGA output</b>	1-ch, 1920 × 1080/60Hz, 1280 × 1024/60Hz, 1280 × 720/60Hz, 1024 × 768/60Hz, HDMI/VGA simultaneous output	
<b>Audio input</b>	1-ch, RCA (2.0 Vp-p, 1 KΩ)	
	4-ch via coaxial cable	8-ch via coaxial cable
<b>Audio output</b>	1-ch, RCA (Linear, 1 KΩ)	
<b>Two-way audio</b>	1-ch, RCA (2.0 Vp-p, 1 KΩ) (using the first audio input)	
<b>Synchronous playback</b>	4-ch	8-ch
<b>Network</b>		
<b>Remote connection</b>	32	64
<b>Network protocol</b>	TCP/IP, PPPoE, DHCP, LTS-Connect, DNS, DDNS, NTP, SADP, NFS, iSCSI, UPnP™, HTTPS, ONVIF	
<b>Network interface</b>	1, RJ45 10/100 Mbps self-adaptive Ethernet interface	
<b>Wi-Fi</b>	Connectable to Wi-Fi network by Wi-Fi dongle through USB interface	
<b>Auxiliary interface</b>		
<b>SATA</b>	1 SATA interface, up to 10 TB capacity for each disk	
<b>Serial interface</b>	RS-485 (half-duplex)	
<b>USB interface</b>	Front panel: 1 × USB 2.0; Rear panel: 1 × USB 2.0	
<b>Alarm in/out</b>	N/A	
<b>General</b>		
<b>Power supply</b>	12 VDC, 1.5 A	
<b>Consumption (without HDD)</b>	≤ 18 W	
<b>Working temperature</b>	-10 °C to 55 °C (14 °F to 131 °F)	
<b>Working humidity</b>	10% to 90%	
<b>Dimension (W × D × H)</b>	315 × 242 × 45 mm (12.4 × 9.5 × 1.8 inch)	
<b>Weight (without HDD)</b>	≤ 1.16 kg (2.6 lb)	≤ 1.78 kg (3.9 lb)

**Note:**

1: Motion detection 2.0, perimeter protection and facial detection cannot be enabled at the same time. Enable one function will make the other two unavailable.

2: Enhanced IP mode might be conflicted with smart events (face picture comparison, motion detection 2.0 and perimeter protection) or other functions, please refer to the user manual for details.



\*: The rear panel of LTD8304M-ET provides 4 video input interfaces. The rear panel of iDS-7208HQHI-M1/S provides 8 video input interfaces.

## Physical Interface

No.	Description	No.	Description
1	VIDEO IN	7	AUDIO IN, RCA connector
2	USB interface	8	LAN network interface
3	VIDEO OUT	9	RS-485 serial interface
4	HDMI interface	10	12 VDC power input
5	VGA interface	11	GND
6	AUDIO OUT, RCA connector		