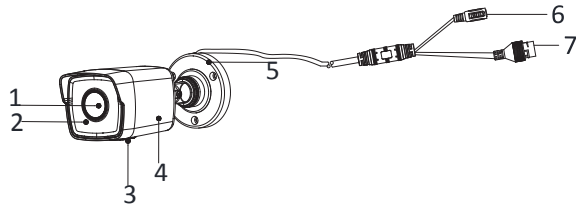


# CMIP80x2W-28MA Bullet Network Camera

## Quick Installation Guide



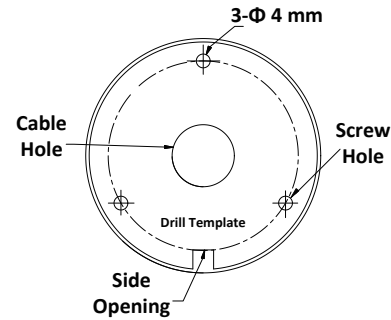
No.	Description
1	Lens
2	Front Cover
3	Memory Card Slot Cover
4	Back Cover
5	Mounting Base
6	Power Cord
7	Network Cable

### 2. Ceiling Mounting

- 2.1. Paste the drill template (supplied) to the desired mounting position on the ceiling.
- 2.2 Drill the screw holes and the cable hole in the ceiling according to the drill template.

Note:

Drill the cable hole, if adopting ceiling outlet to route the cable



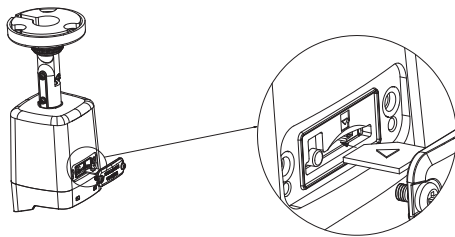
- 2.5. Connect the corresponding power cord, and network cable.
- 2.6. Power on the camera, and set the network configuration to check whether the image is gotten from the optimum angle. If not, adjust the surveillance angle.

- 1). Loosen the No.1 adjusting screw to adjust the rotation position [0° to 360°].
- 2). Tighten the No.1 adjusting screw.
- 3). Loosen the No.2 adjusting screw to adjust the tilting position [-90°to 90°].
- 4). Tighten the No. 2 adjusting screw.
- 5). Loosen the No.3 adjusting screw to adjust the pan position [0° to 360°].
- 6). Tighten the No.3 adjusting screw.

### Installation Steps

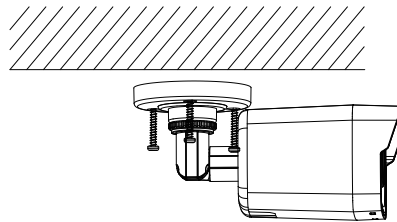
#### 1. Install the Memory Card

- 1.1. Loosen the screws to remove the memory card slot cover.

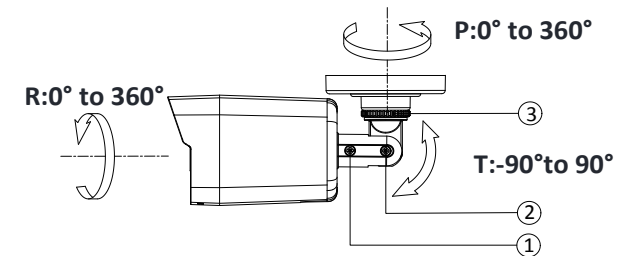


- 1.2. Insert the memory card into the memory card slot.
- 1.3. (Optional)To unmount the memory card, push to get it ejected.
- 1.4. Screw the cover back to the camera.

- 2.3. Route the cables through the cable hole (optional), or the side opening.
- 2.4. Fix the camera on the ceiling with supplied screws.



- In the supplied screw package, both self-tapping screws, and expansion bolts are contained.
- If the ceiling is cement, expansion bolts are required to fix the camera. If the ceiling is wooden, self-tapping screws are required.



**Press Reset button for about 10s when the camera is powering on or rebooting to restore the default settings, including the user name, password, IP address, port No., etc.**

For detailed instructions of further configuration, please refer to the user manual of network camera.