

## *4MP Pro-X Intelligent Vari-focal Series*

# LXIP8743W-SDZ



### Key Features

- Outputs max. 4MP (2688×1520) @30fps
- 1/3" Starlight CMOS image sensor
- Min. Illumination 0.005 Lux@F1.5 (Color, 30IRE), 0 Lux with IR Light on
- Built-in IR LED, Matrix IR LED up to 197ft
- Smart encoding H.265/H.264
- 120dB True WDR, 3D DNR, HLC, BLC
- MD 2.0 focus on human & vehicle
- Smart VCA by AI algorithm
- Built-in Micro SD card slot, up to 256 GB
- Support Alarm and Audio interface
- 12V DC/POE power supply
- IP67 protection

## Specification

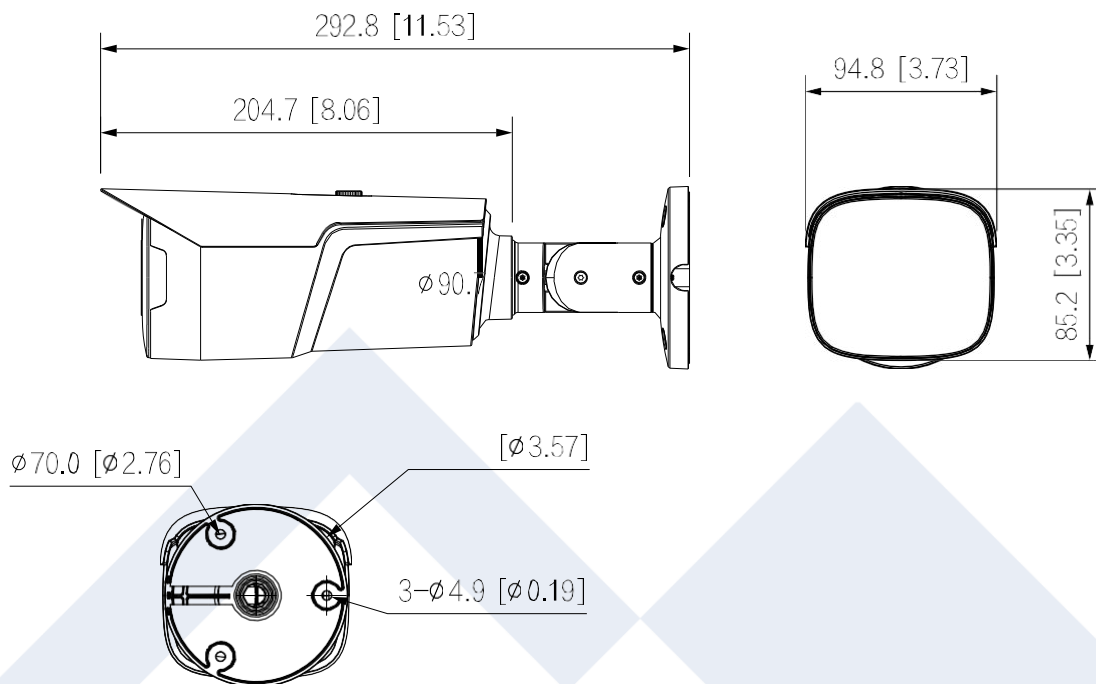
## LXIP8743W-SDZ

Camera	
Image Sensor	1/3"4Megapixel progressive CMOS
Min. Illumination	0.005 Lux@F1.5 (Color, 30IRE) , 0.0005 Lux@F1.5 (B/W, 30IRE), 0 Lux (Illuminator on)
Shutter	Auto/Manual 1/3 s-1/100, 000 s
S/N Ratio	> 56 dB
Noise Reduction	3D DNR
Wide Dynamic Range	120 dB
Day & Night	Auto(ICR)/Color/B/W
Angle Adjustment	Pan: 0°-360°, Tilt: 0°-90°, Rotation: 0°-360°
Lens Type	Motorized vari-focal 2.7 mm -13.5 mm@F1.5
Iris Type	Fixed
Field of View	Horizontal: 104° - 27°, Vertical: 55° - 15°, Diagonal: 124° - 31°
Close Focus Range	0.8 m (2.6 ft)
DORI	W: Detect: 64.0 m (210.0ft) , Observe: 25.6 m (84.0ft) , Recognize: 12.8 m (42.0ft), Identify: 6.4 m (21.0ft), L: Detect: 222.0 m (728.3ft), Observe: 88.8m (291.3ft), Recognize: 44.4 m (145.7ft), Identify: 22.2 m (72.8ft)
Illuminator	4 (IR LED)
Illumination Range	60 m (197 ft)
Illuminator Control	Auto/Manual
Video	
Video Compression	H.265, H.264, H.264H, H.264B, MJPEG(only supported by sub stream)
Smart Codec	Supported
Resolution	4M (2688 × 1520), 3M (2304 × 1296), 1080p (1920 × 1080), 1.3M (1280 × 960), 720p (1280 × 720), D1 (704 × 576/704 × 480), VGA (640 × 480), CIF (352 × 288/352 × 240)
Video Frame Rate	Main stream 2688 × 1520 @ (1-30 fps), Sub stream 704 × 576 @ (1-25 fps) / 704 × 480 @ (1-30 fps), Third stream 1280 × 720 @ (1-30 fps)
Video Stream	3 streams
Bit Rate Control	CBR, VBR
Video Bit Rate	H.264: 3 kbps - 8192 kbps, H.265: 3 kbps - 8192 kbps
ROI	Supported (4 areas)
Image Rotation	0°/90°/180°/270° (Support 90°/270° with 1920 × 1080 resolution and lower.)
Mirror	Supported
Privacy Mask	Supported (4 areas)
Audio	
Audio Compression	G.711a, G.711Mu, G726
Intelligent Analysis	
VCA	Tripwire, intrusion (Support the classification and accurate detection of vehicle and human)
MD 2.0	Yes, support alarm triggered by vehicle and human
Event	
Alarm event	No SD card, SD card full, SD card error, less service time of SD card (smart card supports), network disconnection, IP conflict, illegal access, voltage detection, security exception, motion detection, video tampering, scene changing, input abnormal, intensity change, tripwire, intrusion, IMD
Network	

Protocol	IPv4, IPv6, HTTP, TCP, UDP, ARP, RTP, RTSP, RTCP, RTMP, SMTP, FTP, SFTP, DHCP, DNS, DDNS, QoS, UPnP, NTP, Multicast, ICMP, IGMP, NFS, PPPoE, SNMP
Interoperability	ONVIF(Profile S/Profile G/Profile T), API, P2P
Storage	FTP, SFTP, Micro SD Card (support max. 256 G), NAS
Web Browser	IE: IE8, IE9, IE11, Chrome, Firefox
Client	PRO-X, X Station
<b>Interface</b>	
Network	RJ-45 (10/100 Base-T)
Audio I/O	1-channel (RCA port) audio input, 1-channel (RCA port) audio output
Alarm I/O	1-channel alarm input: 5mA 3V-5V DC, 1-channel alarm out: 300mA 12V DC
<b>General</b>	
Power	12V DC/PoE (802.3af), < 9.8W
Housing	Metal
Dimensions	292.8 mm × 94.8 mm × 85.2 mm (11.5" × 3.7" × 3.4") (L × W × H)
Operating Conditions	-30°C to +60°C (-22°F to +140°F)/less than 95%
Storage Conditions	-40°C to +60°C (-40°F to +140°F)
Protection Grade	IP67
Net Weight	0.80 kg (1.8lb)
Gross Weight	1.07 kg (2.4lb)
Certification	FCC

### Dimensions (mm[inch])

mm [inch]



Accessory

LXKJB01 Junction Box	LXPM01 Vertical Pole Mount	LXCM01 Corner Mount
		