

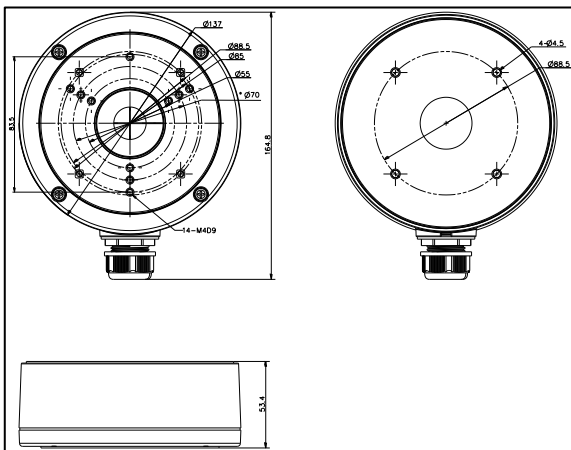
LTB701B-A

Junction Box for Dome Camera

Features:

- Aluminum alloy material with surface spray treatment
- Waterproof design
- Cable hole on bracket makes the feature better

Dimension:



Parameter:

Model	LTB701B-A
Parameters	Junction Box for Dome Camera
Appearance	White
Material	Aluminum Alloy
Dimension	Φ 137 × 53.4 × 164.8 mm
Weight	515 g (1.14 lb.)

Notice:

- The bracket should be installed on flat wall
- Waterproof rubber is necessary for outdoor application
- The wall must be capable of supporting over 3 times as much as the total weight of the camera and the mount.
- The maximum load capacity of the bracket is 4.5 kg

Note: The actual bracket may vary from the picture above.

