

8MP Pro-X Intelligent Vari-focal Series

LXIP8783W-SDZ



Key Features

- Outputs 8MP (3840×2160) @30fps real time, 8MP (3840 × 2160) @20fps with AI enabled
- 1/2.8" Starlight CMOS image sensor
- Min. Illumination 0.005 Lux@F1.5 (Color, 30IRE), 0 Lux with IR Light on
- Built-in IR LED, Matrix IR LED up to 197ft
- Smart encoding H.265/H.264
- 120dB True WDR, 3D DNR, HLC, BLC
- MD 2.0 focuses on human & vehicle
- Smart VCA by AI algorithm
- Built-in Micro SD card slot, up to 256 GB
- Support Alarm and Audio interface
- 12V DC/POE power supply
- IP67 protection

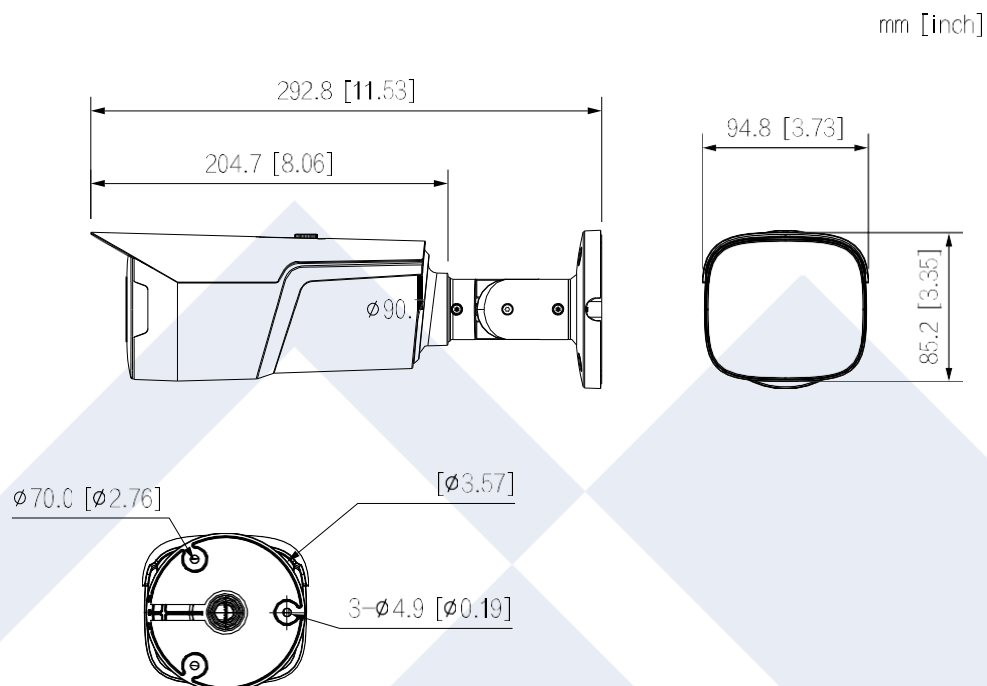
Specification

LXIP8783W-SDZ

Camera	
Image Sensor	1/2.8" 8Megapixel progressive CMOS
Min. Illumination	0.005 Lux@F1.5 (Color, 30IRE), 0.0005 Lux@F1.5 (B/W, 30IRE), 0 Lux (Illuminator on)
Shutter	Auto/Manual 1/3 s-1/100, 000 s
S/N Ratio	> 56 dB
Noise Reduction	3D DNR
Wide Dynamic Range	120 dB
Day & Night	Auto(ICR)/Color/B/W
Angle Adjustment	Pan: 0°-360°, Tilt: 0°-90°, Rotation: 0°-360°
Lens Type	Motorized vari-focal 2.7 mm-13.5 mm @F1.5
Iris Type	Fixed
Field of View	Horizontal: 113°-31°, Vertical: 58°-17°, Diagonal:138°-36°
Close Focus Range	0.8 m (2.6 ft)
DORI	W: Detect: 85.3 m (279.9ft), Observe: 34.1 m (111.9ft), Recognize: 17.0 m (55.8ft), Identify: 8.5 m (27.9ft), T: Detect: 280.0 m (918.6ft), Observe: 112.0 m (367.5ft), Recognize: 56.0 m (183.7ft), Identify: 28.0 m (91.9ft)
Illuminator	4 (IR LED)
Illumination Range	60 m (197 ft)
Illuminator Control	Auto/Manual
Video	
Video Compression	H.265, H.264, H.264H, H.264B, MJPEG(only supported by sub stream)
Smart Codec	Supported
Resolution	8M (3840 × 2160), 6M (3072 × 2048), 5M (3072 × 1728/2592 × 1944), 4M (2688 × 1520), 3M (2048 × 1536/2304 × 1296), 1080p (1920 × 1080), 1.3M (1280 × 960), 720p (1280 × 720), D1(704 × 576/704 × 480), VGA (640 × 480), CIF (352 × 288/352 × 240)
Video Frame Rate	Main stream: 3840 × 2160 @(1-20 fps by default) / 3840 × 2160 @(1-30 fps when AI function disabled) Sub stream: 704 × 576 @ (1-25 fps) / 704 × 480 @ (1-30 fps) Third stream: 1920 × 1080 @(1-30 fps)
Video Stream	3 streams
Bit Rate Control	CBR, VBR
Video Bit Rate	H.264: 3 kbps - 8192 kbps, H.265: 3 kbps - 8192 kbps
ROI	Supported (4 areas)
Image Rotation	0°/90°/180°/270° (Support 90°/270° with 1920 × 1080 resolution and lower)
Mirror	Supported
Privacy Mask	Supported (4 areas)
Audio	
Audio Compression	G.711a, G.711Mu, G726
Intelligent Analysis	
VCA	Tripwire, intrusion (Support the classification and accurate detection of vehicle and human)
MD 2.0	Yes, support alarm triggered by vehicle and human
Event	

Alarm event	No SD card, SD card full, SD card error, service life warning (only supported by Dahua card), network disconnection, IP conflict, illegal access, motion detection, video tampering, intrusion, tripwire, scene changing, audio detection, voltage detection, defocus detection, external alarm, IMD, safety exception
Network	
Protocol	IPv4, IPv6, HTTP, TCP, UDP, ARP, RTP, RTSP, RTCP, RTMP, SMTP, FTP, SFTP, DHCP, DNS, DDNS, QoS, UPnP, NTP, Multicast, ICMP, IGMP, NFS, SAMBA, PPPoE, SNMP
Interoperability	ONVIF(Profile S/Profile G/Profile T), API, P2P
Storage	FTP, SFTP, Micro SD Card (support max. 256 G), NAS
Web Browser	IE: IE8, IE9, IE11, Chrome, Firefox
Client	PRO-X, X Station
Interface	
Network	RJ-45 (10/100 Base-T)
Audio input/output	1 channel (RCA port) audio input, 1 channel (RCA port) audio output
Alarm input/output	1 channel input: 5mA 3V-5V DC, 1 channel output: 300mA 12V DC
General	
Power Supply	12V DC/PoE (802.3af), <10.7W
Housing	Metal
Dimensions	292.8 mm × 94.8 mm × 85.2 mm (11.5" × 3.7" × 3.4") (L × W × H)
Operating Conditions	-30°C to +60°C (-22°F to +140°F)/Less than 95% RH
Storage Conditions	-40°C to +60°C (-40°F to +140°F)
Protection Grade	IP67
Net Weight	0.80 kg (1.8lb)
Gross Weight	1.07 kg (2.4lb)
Certification	FCC

Dimensions (mm[inch])



Accessory

LXKJB01 Junction Box	LXPM01 Vertical Pole Mount	LXCM01 Corner Mount
		